

GRUPO 0 25 SISTEMA ELECTRICO

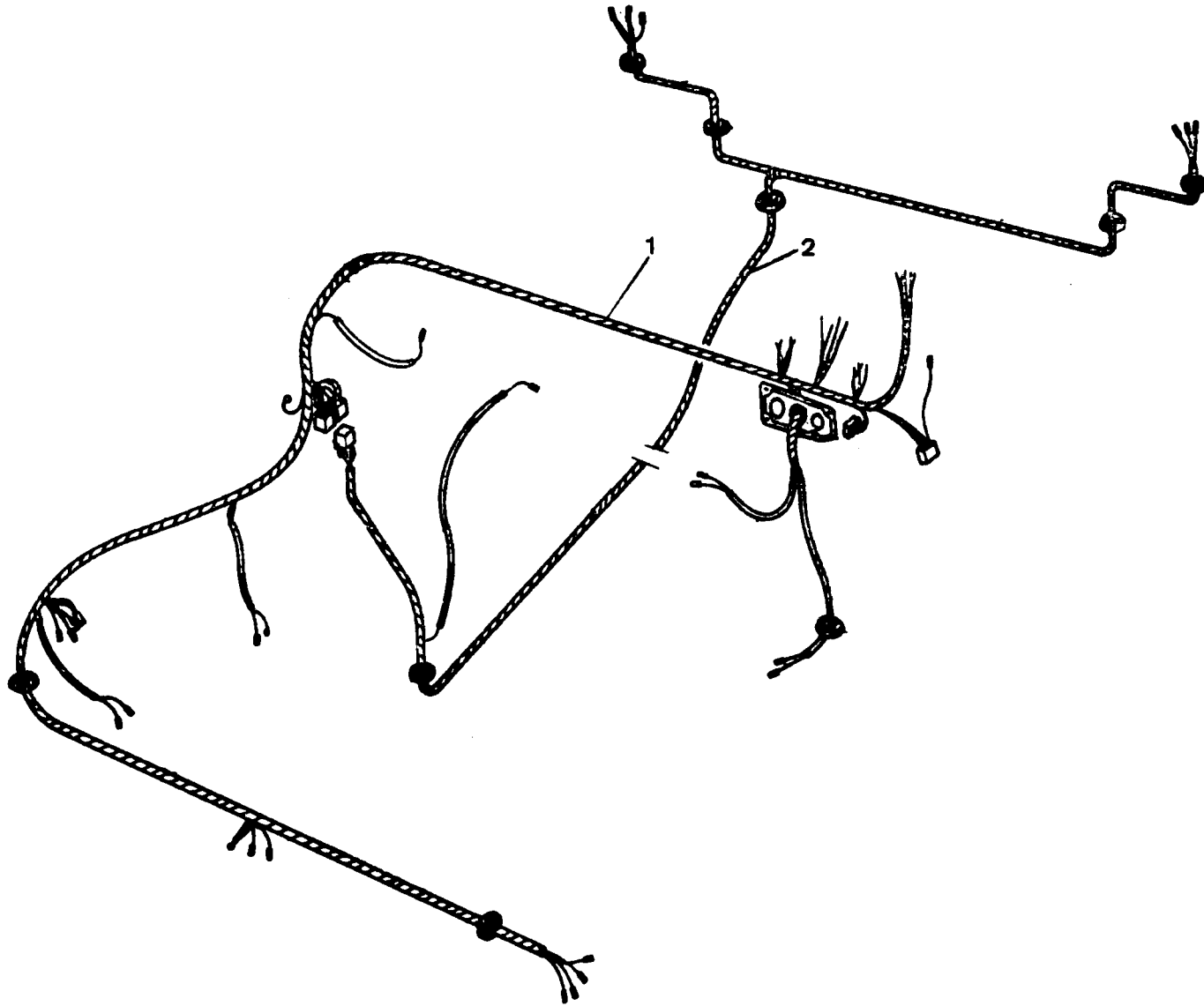
GROUP 05 05 ELECTRICAL SYSTEM

GROUP 05 05 SYSTEME ELECTRIQUE

-----  
COMPOSICION .....COMPOSITION.....COMPOSICION  
-----

DENOMINACION	DESCRIPTION	DENOMINATION	HOJA PAGE PAGE
CABLES	CABLES	CABLES	148
BATERIA 4C G	BATTERY 4C P	BATTERIE 4C E	149
BATERIA 4C D 6C	BATTERY 4C D 6C	BATTERIE 4C D 6C	150
BATERIA 88 LIG	BATTERY 88 LIG	BATTERIE 88 LIG	151
EQUIPO GENERAL	GENERAL EQUIPMENT	EQUIPE GENERALE	152
LIMPIAPARABRISAS FEM	WINDSCREEN FEMSA	ESSUIE GLACE FEMSA	154
LIMPIAPARABRISAS DOG	WINDSCREEN DOGA	ESSUIE GLACE DOGA	155
LIMPIAPARABRISAS DOG	WINDSCREEN DOGA	ESSUIE GLACE DOGA	156
LIMPIAPARABRISAS LUC	WINDSCREEN LUCAS	ESSUIE GLACE LUCAS	157
DISTRIBUIDOR 4C	DISTRIBUTOR 4C	DISTRIBUTEUR 4C	158
DISTRIBUIDOR 4C LUCA	DISTRIBUTOR 4C LUCAS	DISTRIBUTEUR 4C LUCA	159
DISTRIBUIDOR 6C	DISTRIBUTOR 6C	DISTRIBUTEUR 6C	160
BUJIAS DE CALDEJ	HEATING SPARK PLUGS	BOUGIE D CHALDEEN	161
ALTERNADOR FEMS4C 6C	ALTERNATOR FEMS4C 6C	ALTERNATEUR FEM4C 6C	162
ALTERNADOR BOSCH 6C	ALTERNATOR BOSCH 6C	ALTERNATEUR BOSCH 6C	163
ALTERNADOR LUCAS 4C	ALTERNATOR LUCAS 4C	ALTERNATEUR LUCAS 4C	164
ALTERNAD LUCAS SUPER	ALTERNAT LUCAS SUPER	ALTERNAT LUCAS SUPER	165
SOPORTE ALTERNADO 4C	ALTERNATOR SUPPOR 4C	SUPPORT ALTERNATE 4C	166
SOPORTE ALTERNADO 6C	ALTERNATOR SUPPOR 6C	SUPPORT ALTERNATE 6C	167
MOTOR ARR FEMSA 4C G	STARTER M FEMSA 4C P	DEMARREUR FEMSA 4C E	168
MOTOR ARR FEMSA 4C D	STARTER M FEMSA 4C D	DEMARREUR FEMSA 4C D	170
MOTOR ARR BOSCH 4C D	STARTER M BOSCH 4C D	DEMARREUR BOSCH 4C D	171
MOTOR ARRAN BOSCH 6C	STARTER MOT BOSCH 6C	DEMARREUR BOSCH 6C	172
FAROS Y PILOTOS	HEAD LAMPS	PHARES ET FEUS	173
FAROS Y PILO SUP CAZ	HEAD LAMPS SUPER CAZ	PHARES ET FE SUP CAZ	174
FAROS Y PILOTOS TRAS	REAR HEAD LAMPS	PHARES ET FEUS ARRIE	176
FAROS Y PILOTOS ESPE	HEAD LAMPS SPECIALS	PHARES ET FEUS SPECI	177
FAROS Y PILOTO 88LIG	HEAD LAMPS 88 LIG	PHARES ET FEUS 88 LI	178
PLAFONES	INTO LAMP	FEU INTERIEUR	179

050101  
050113  
050104  
050102



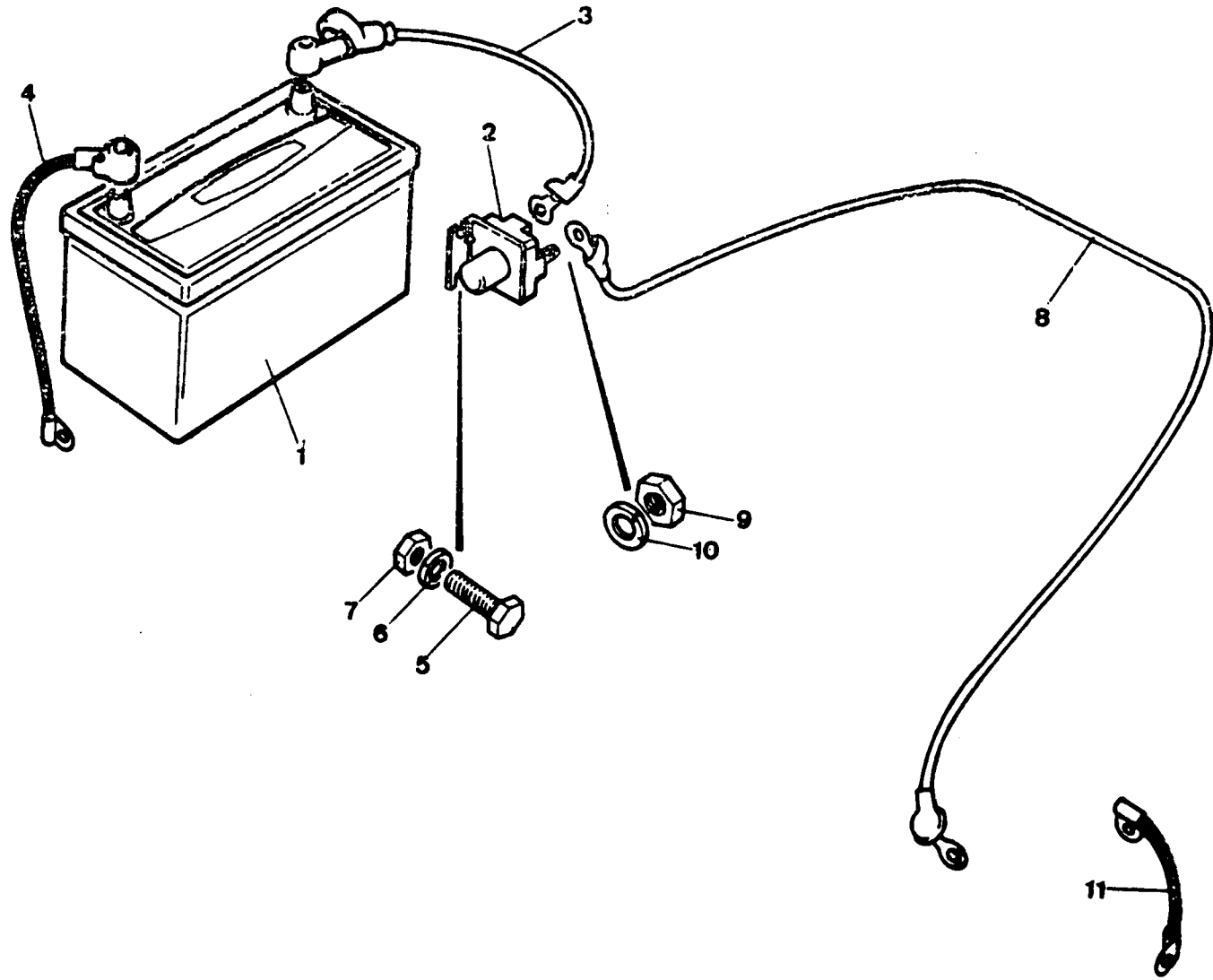
PUBLICACION N 88 J013  
EDICION N 1

GRUPO=05 SISTEMA ELECTRICO  
GROUP=05 ELECTRICAL SYSTEM  
GROUPE=05 SYSTEME ELECTRIQU

SUBGRUPO=CABLES  
SUBGROUP=CABLES  
SUBGROUPE=CABLES

N.FIG	N.PIEZA	CAN	DENOMINACION	DESCRIPTION	DENOMINATION	C H A S I S
PLATE	PARTNUMBER	QTY				
N.FIG	N.PIECE	OUT				
1	172608	1	CABLE SALPI 88 LIG D	DASH HORNES 88 LIG D	CABLAG TABL 88 LIG D	
	172630	1	CABLE SALPI 88 LIG G	DASH HORNES 77 LIG P	CABLAG TABL 88 LIG E	
	175676	1	CABLE SALPICADE 4C G	DASH HORNESS 4C P	CABLAG TABLIER 4C E	
	175677	1	CABLE SALPICADE 4C D	DASH HORNESS 4C D	CABLAG TABLIER 4C D	
	175678	1	CABLE SALPICADE 6C G	DASH HORNESS 6C P	CABLAG TABLIER 6C E	
	175679	1	CABLE SALPICADE 6C D	DASH HORNESS 6C D	CABLAG TABLIER 6C D	
	175680	1	CABLE SALP CAZORLA G	DASH HORNE CAZORL	CABLAG TAB CAZORLA E	
	175681	1	CABLE SALP CAZORLA D	DASH HORNE CAZORLA D	CABLAG TAB CAZORLA D	
2	172629	1	CABLE CHASS 88 LIG G	FRAME HORN 88 LIG P	CABLAG CHAS 88 LIG E	
	173615	1	CABLE CHASS 88 LIG D	FRAME HORN 88 LIG D	CABLAG CHAS 88 LIG D	
	173645	1	CABLE CHAS CAZORLA D	FRAME HORN CAZORLA D	CABLAG CHA CAZORLA D	
	173646	1	CABLE CHAS CAZORLA G	FRAME HORN CAZORLA P	CABLAG CHA CAZORLA E	
	176651	1	CABLE CHAS 109 SUPER	FRAME HORN 109 SUPER	CABLAG CHA 109 SUPER	
	58970EK7	1	CABLE CHASIS 88	FRAME HORNESS 88	CABLAG CHASSIS 88	
	58970EK8	1	CABLE CHASIS 6C D	FRAME HORNESS 6C D	CABLAG CHASSIS 6C D	
	58970EK8	1	CABLE CHA 109 4Y6C G	FRAME HOR 109 4Y6C P	CABLAG CH 109 4Y6C E	
	58970EK9	1	CABLE CHASIS 109 ESP	FRAME HORNES 109 SPE	CABLAG CHASS 109 SPE	

050005  
050201  
050202



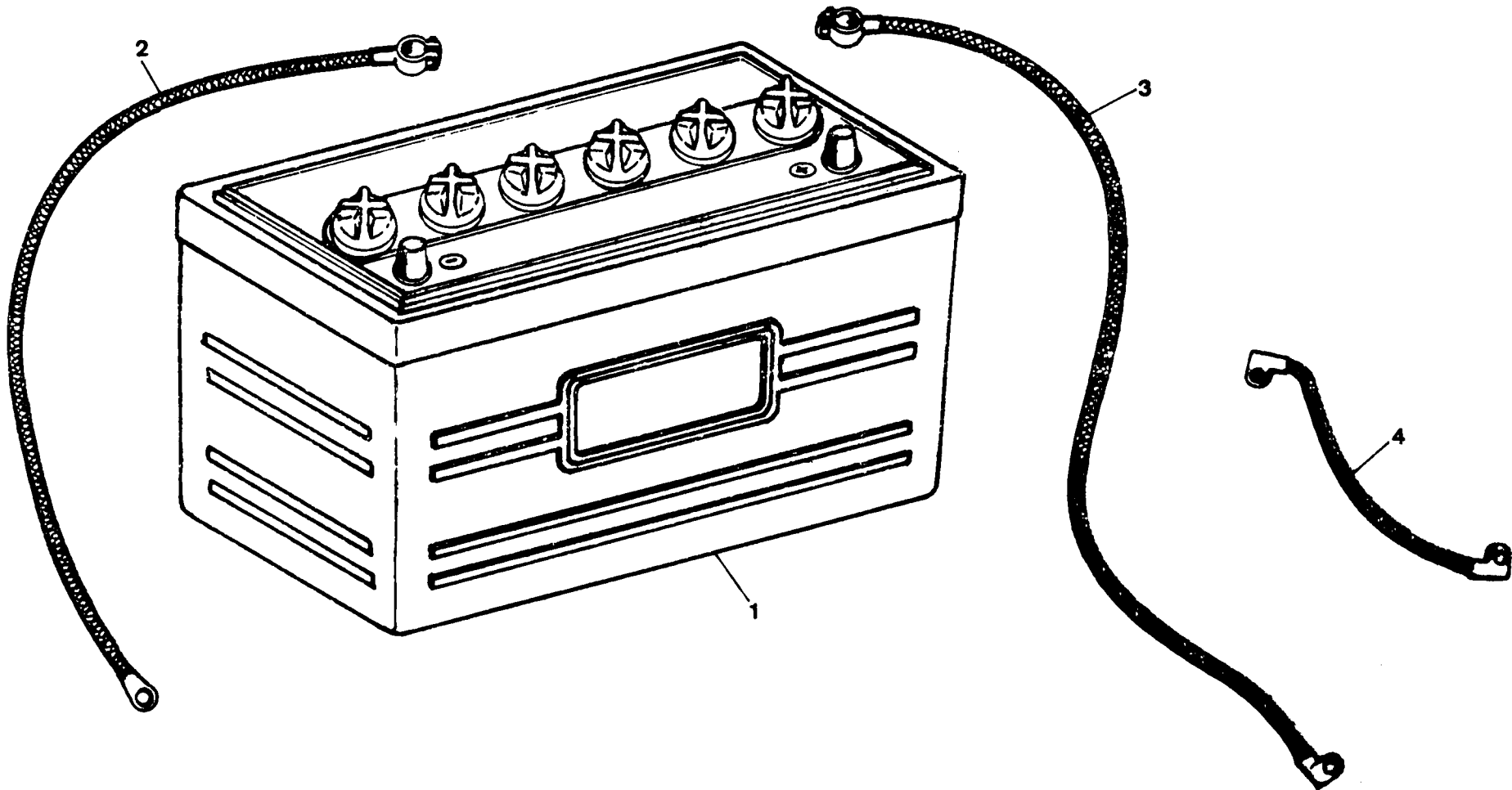
PUBLICACION N 880013  
EDICION N 1

GRUPO=75 SISTEMA ELECTRICO  
GROUP=75 ELECTRICAL SYSTEM  
GROUPE=75 SYSTEME ELECTRIQU

SUBGRUPO=BATERIA 4C G  
SUBGROUP=BATTERY 4C P  
SUBGROUPE=BATTERIE 4C E

I.FIG	N.PIEZA	CAN	DENOMINACION	DESCRIPTION	DENOMINATION	C H A S I S
PLATE	PARTNUMBER	QTY				
I.FIG	N.PIECE	OUT				
1	278284E1	1	BATERIA	BATTERY	BATTERIE	
2	579202	1	SOLENOIDE DE ARRANQUE	STARTER SOLENOID	SOLENOIDE DU DEMARRE	
3	166890	1	CABLE	CABLE	CABLE	
4	166557	1	CABLE CC S VELOCIDAD	CABLE GB 5 SPEED	CABLE BV 5 VITESSES	
	551318E1	1	CABLE	CABLE	CABLE	
5	257019	2	TORNILLO	BOLT	BOULON	
6	3073	2	ARANDELA	WASHER	RONDELLE	
7	257023	2	TUERCA	NUT	ECROU	
8	166870	1	CABLE	CABLE	CABLE	
9	180108	2	TUERCA	NUT	ECROU	
10	3075	2	ARANDELA	WASHER	RONDELLE	
11	219649E1	1	CABLE	CABLE	CABLE	

050203  
050221  
050204

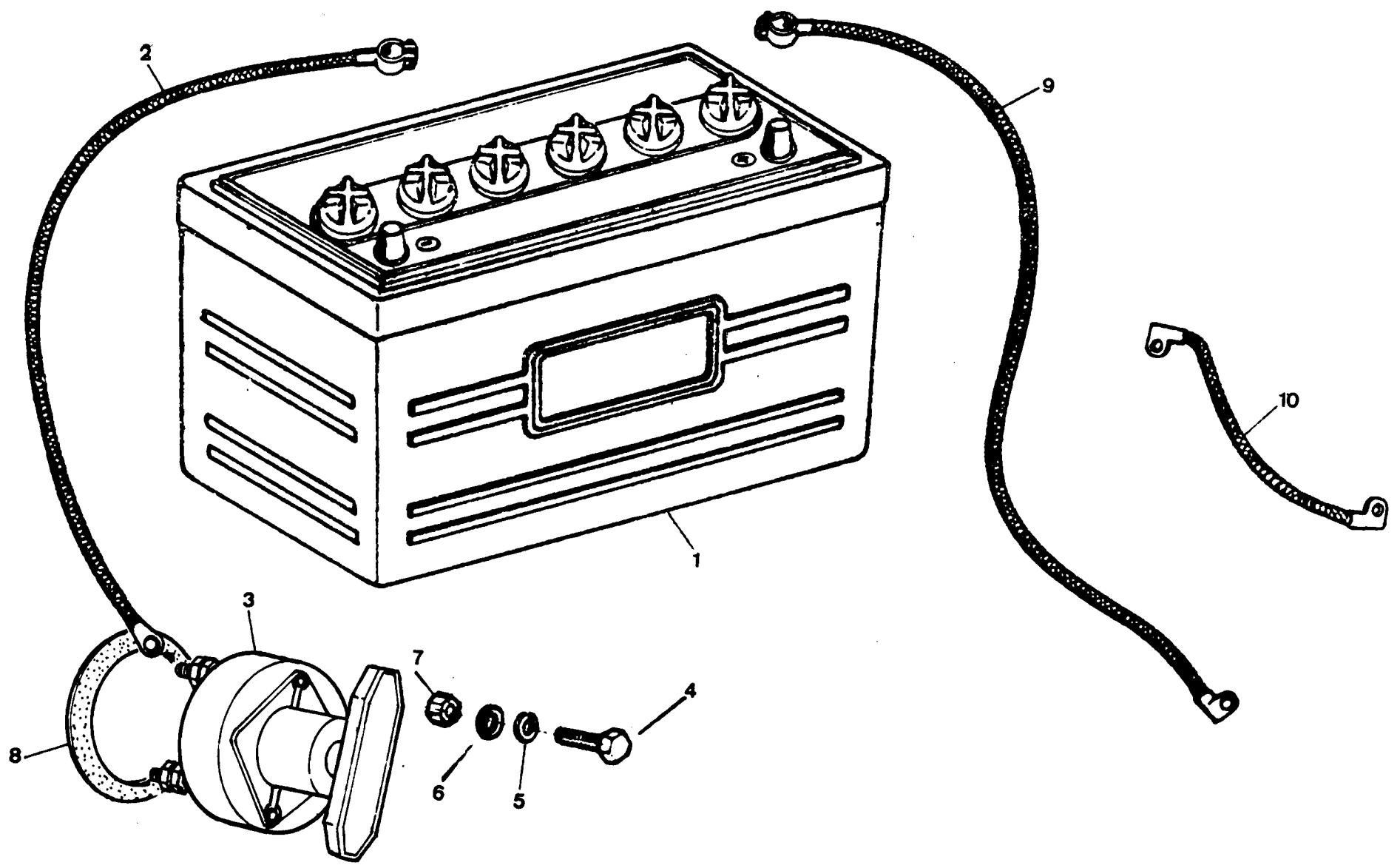


PUBLICACION N 880013  
 EDICION N 1

GRUPO=05 SISTEMA ELECTRICO  
 GROUP=05 ELECTRICAL SYSTEM  
 GROUPE=05 SYSTEME ELECTRIQU

SUBGRUPO=BATERIA 4C D 6C  
 SUBGROUP=BATTERY 4C D 6C  
 SUBGROUPE=BATTERIE 4C D 6C

N.FIG	N.PIEZA	CAN	DENOMINACION	DESCRIPTION	DENOMINATION	C H A S I S
PLATE	PARTNUMBER	QTY				
N.FIG	N.PIECE	OUT				
1	163521	1	BATERIA 6C	BATTERY 6C	BATTERIE 6C	
	575474F1	1	BATERIA 4C D	BATTERY 4C D	BATTERIE C D	
2	163519	1	CABLE 6C	CABLE 6C	CABLE 6C	
	166552	1	CABLE 4C	CABLE 4C	CABLE 4C	
	166572	1	CABLE 4C SUPER CAZOR	CABLE 4C SUPER CAZOR	CABLE 4C SUPER CAZOR	
	711709	1	CABLE 4C CC 5 VELOCY	CABLE 4C GB 5 SPEED	CABLE 4C BV 5 VITese	
3	163520	1	CABLE 6C	CABLE 6C	CABLE 6C	
	166554	1	CABLE 4 C D	CABLE 4C D	CABLE 4 C D	
4	531672E1	1	CABLE	CABLE	CABLE	



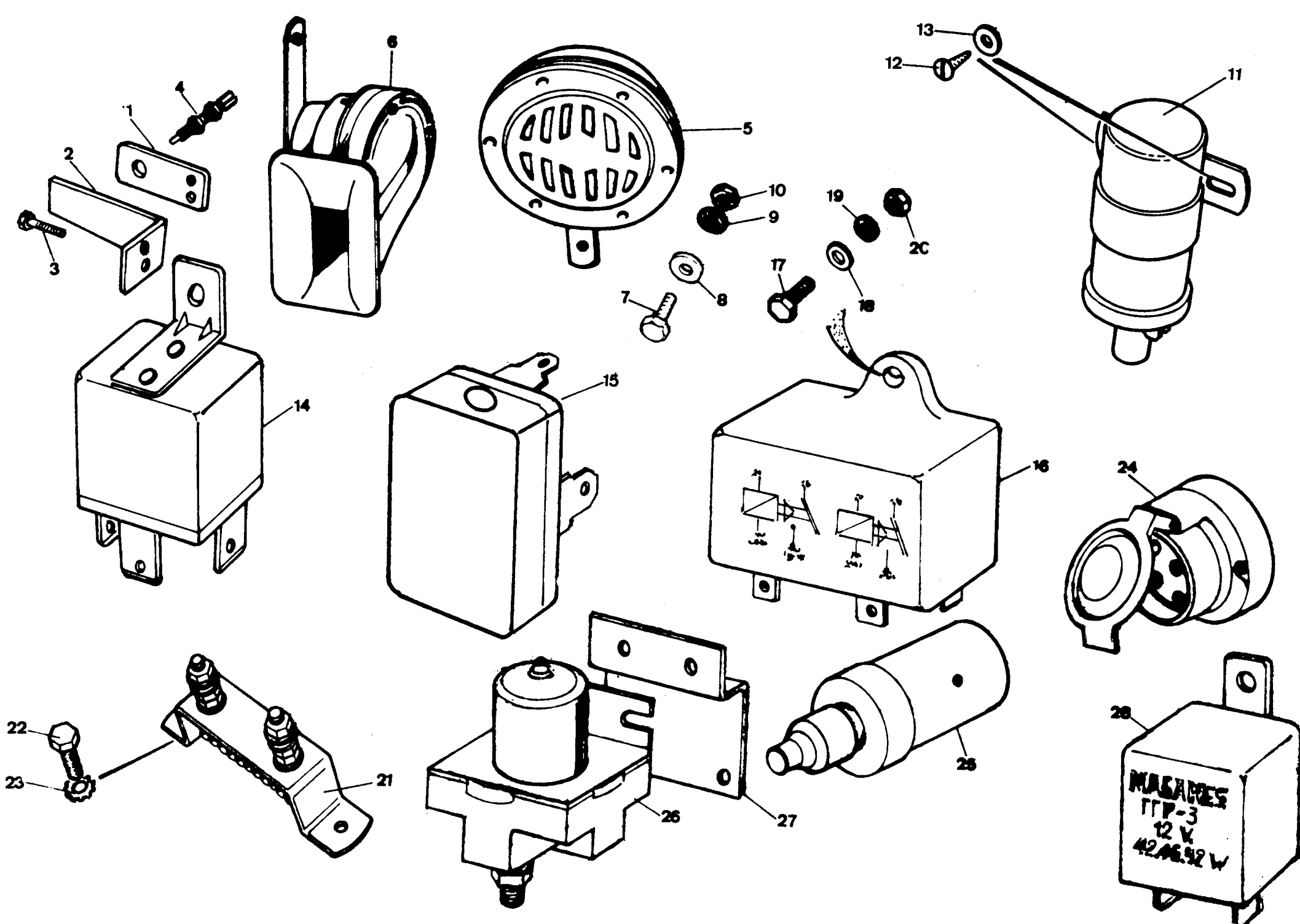


PUBLICACION N 387013  
EDICION N 1

GRUPO=05 SISTEMA ELECTRICO  
GROUP=05 ELECTRICAL SYSTEM  
GROUPE=05 SYSTEME ELECTRIQU

SUBGRUPO=BATERIA 88 LIG  
SUBGROUP=BATTERY 98 LIG  
SUBGROUPE=BATTERIE 98 LIG

N.FIG	N.PIEZA	CAN	DENOMINACION	DESCRIPTION	DENOMINATION	C H A S I S
PLATE	PARTNUMBER	QTY				
N.FIG	N.PIECE	OUT				
1	1645C7	1	BATERIA D	BATTERY D	BATTERIE D	
	1645CE	1	BATERIA G	BATTERY P	BATTERIE E	
2	166552	1	CABLE DIESEL	CABLE DIESEL	CABLE DIESEL	
	167860	1	CABLE GASOLINA	CABLE PETROL	CABLE ESSENCE	
3	165804	1	DESCONECTOR BATERIA	BATTERY DISCONNECTOR	OTER BATTERIE	
4	182117	2	TORNILLO	SCREW	VIS	
5	3075	2	ARANDELA	WASHER	RONDELLE	
6	3899	2	ARANDELA	WASHER	RONDELLE	
7	181185	2	TUERCA	NUT	ECROU	
8	164564	1	GOMA	RUBBER	CAOTCHOUC	
9	166553	1	CABLE DIESEL	CABLE DIESEL	CABLE DIESEL	
	166890	1	CABLE GASOLINA	CABLE PETROL	CABLE ESSFNCE	
10	531672E1	1	CABLE	CABLE	CABLE	

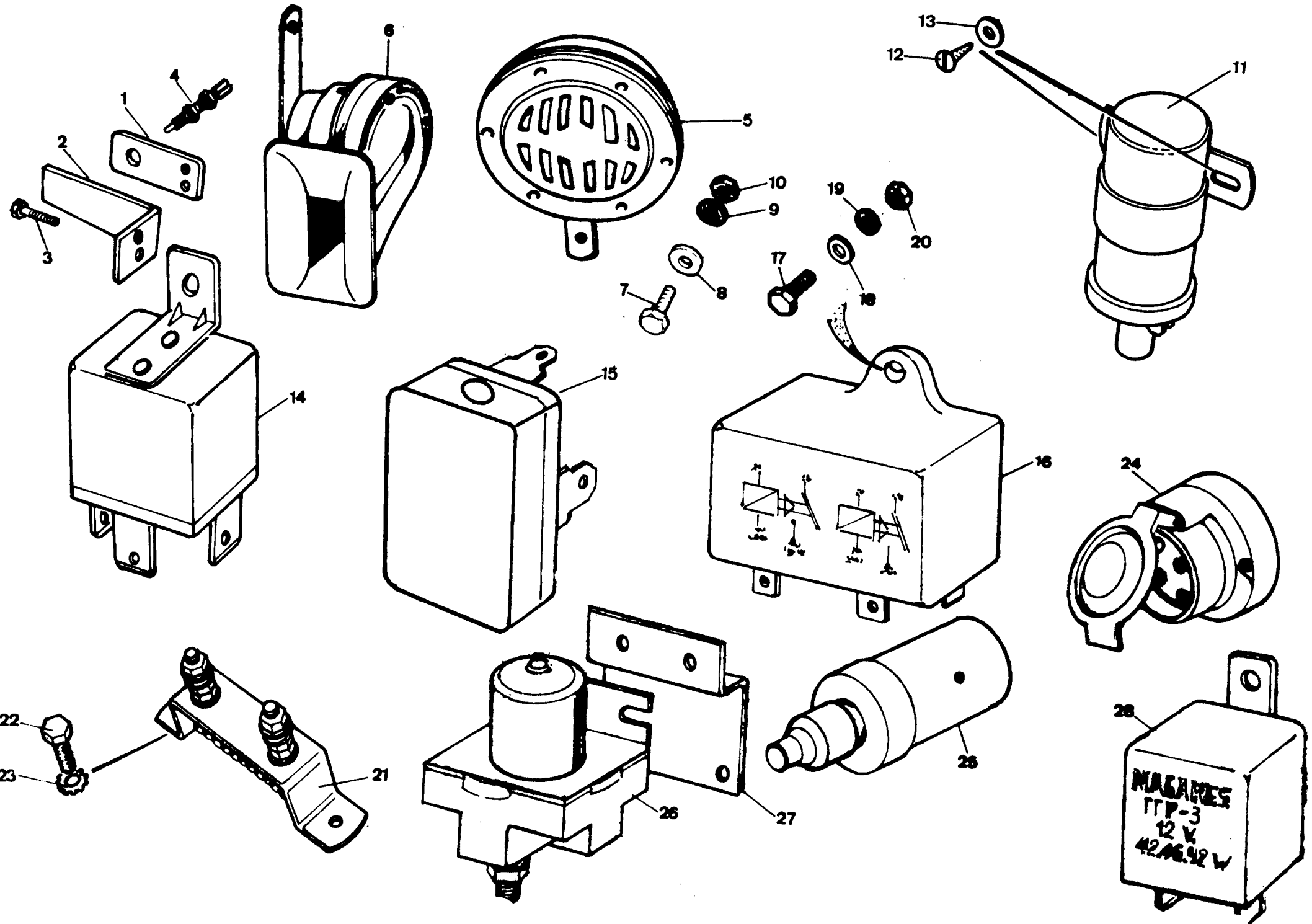


PUBLICACION N 890013  
EDICION N 1

GRUPO=05 SISTEMA ELECTRICO  
GROUP=05 ELECTRICAL SYSTEM  
GROUPE=05 SYSTEME ELECTRIQU

SUBGRUPO=EQUIPO GENERAL  
SUBGROUP=GENERAL EQUIPMENT  
SUBGROUPE=EQUIPE GENERALE

N.FIG	N.PIFZA	CAN				
PLATE	PARTNUMBER	QTY				
N.FIG	N.PIECE	OUT	DENOMINACION	DESCRIPTION	DENOMINATION	C H A S I S
1	154647	1	SUPPORT 4C	BRACKET 4C	SUPPORT 4C	
2	156446	1	TOPE 4C	STOP 4C	BUTEE 4C	
3	181158	1	TORNILLO 4C	SCREW 4C	VIS 4C	
	183138	1	TORNILLO 4C	SCREW 4C	VIS 4C	
4	161852	1	INTERRUPTOR M A 4C	SWITCH REVERSE 4C	INTERRUPTEUR M A 4C	
5	161542	1	BOCINA	WINDTONE HORN	AVERTISSEUR	
6	161541	1	BOCINA AGUDA ESP	WINDTONE HO HIGH SPE	AVERTISSEUR AIGU SPE	
	161542	1	BOCINA GRAVE ESP	WINDTONE HO LOW SPE	AVERTISSEUR BASSE SPE	
	162575	1	BOCINA GRAVE HELLA E	WINDTONE HO LO HELLA	AVERTISSEUR BAS HELLA	
	162576	1	BOCINA AGUDA HELLA E	WINDTONE HO HI HELLA	AVERTISSEUR AIG HELLA	
7	182112	2	TORNILLO 88 LIG	SCREW 88 LIG	VIS 88 LIG	
	182113	2	TORNILLO 6C	SCREW 6C	VIS 6C	
	79211	1	TORNILLO	SCREW	VIS	
8	3821	1	ARANDELA	WASHER	RONDELLE	
9	3074	1	ARANDELA	WASHER	RONDELLE	
10	181184	1	TUERCA	NUT	ECROU	
11	573037F1	1	BOBINA DE ENCENDIDO	IGNITION COIL	BOBINE D ALLUMAGE	
12	72628	2	TORNILLO	SCREW	VIS	
13	390C	2	ARANDELA	WASHER	RONDELLE	
14	163547	1	RELE DE LUCES	LAMP RELAY	RELE PHARES	
15	165519	1	RELE ELECTRONICO LUC	LUCAS ELECTRONIC FLA	RELE ELECTRONIQUE LU	
	567954	1	RELE INTERMITENCIA	FLASHER RELAY	RELE CLIGNOTEUR	
16	162545	1	RELE DE LUCES ESP	LAMP RELAY SPE	RELE PHARES SPE	
17	182112	1	TORNILLO	SCREW	VIS	
18	3912	1	ARANDELA	WASHER	RONDELLE	
19	3074	1	ARANDELA	WASHER	RONDELLE	
20	131184	1	TUERCA	NUT	ECROU	
21	PRC1716	1	RESISTENCIA	RESISTOR	RESISTENCE	
22	72628	2	TORNILLO	SCREW	VIS	
23	052257	2	ARANDELA	WASHER	RONDELLE	
24	164883	1	ENCHUFE REMOLQUE	TRAILER CUTTING	COUPLER DE REMORQUE	
25	164884	1	ENCHUFE REMOLQUE CAZ	TRAILER CUTTING CAZ	COUPLER DE REMOR CAZ	
26	579202K1	1	RELE DE CALENTADORES	RELAY FOR RESISTOR	RELE DE RESISTENCE	
27	166542	1	SUPPORT	SUPPORT	SUPPORT	



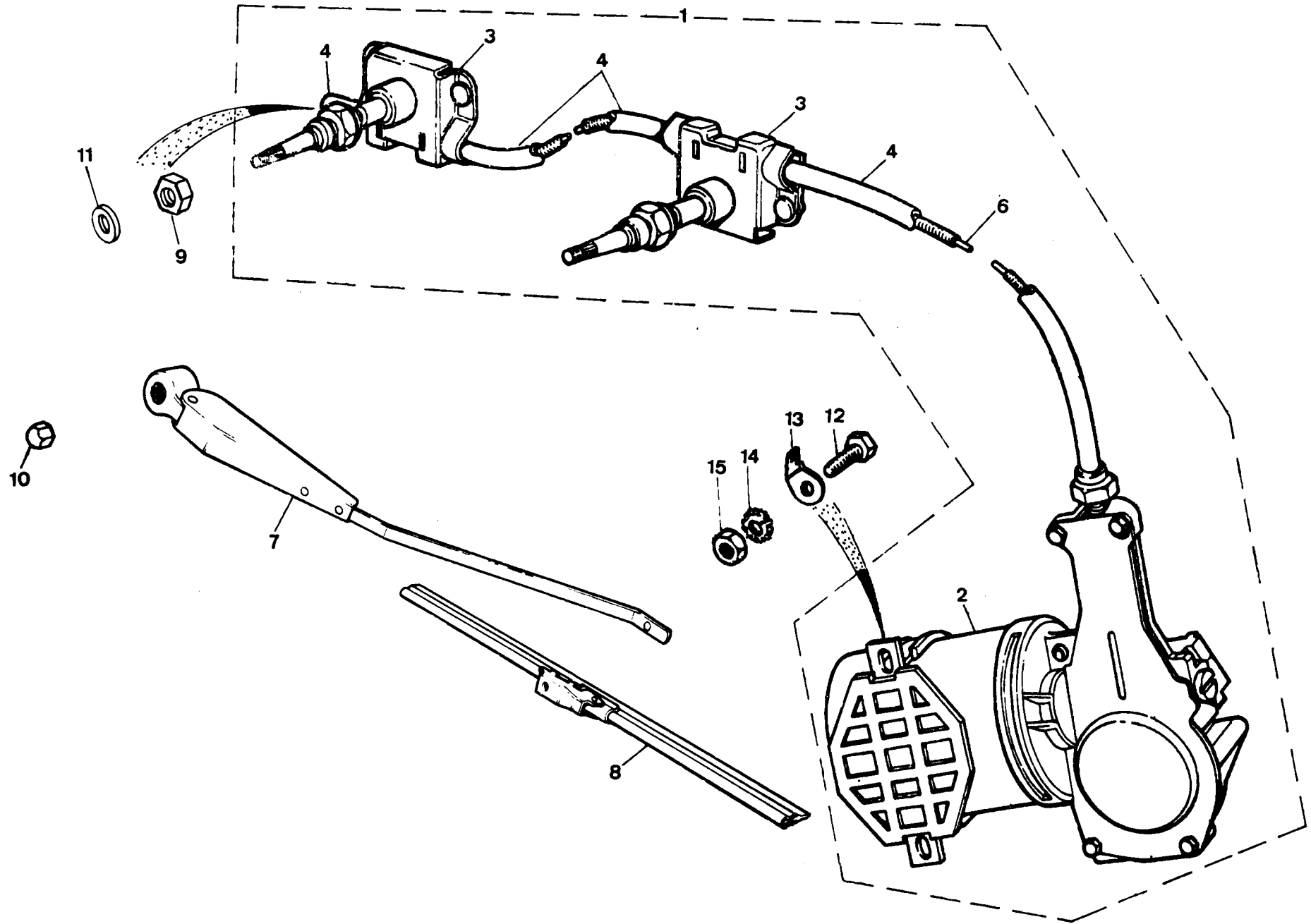
НАКАРЕС  
ГРП-3  
12 В  
42 АБ.92 В

PUBLICACION N 980313  
 EDICION N 1

GRUPO=75 SISTEMA ELECTRICO  
 GROUP=75 ELECTRICAL SYSTEM  
 GROUPE=75 SYSTEME ELECTRIQU

SUBGRUPO=EQUIPO GENERAL  
 SUBGROUP=GENERAL EQUIPMENT  
 SUBGROUPE=EQUIPE GENERALE

N.FIG	N.PIEZA	CAN					
PLATE	PARTNUMBER	QTY					
N.FIG	N.PIECE	OUT	DENOMINACION	DESCRIPTION	DENOMINATION		C H A S I S
28	166571	1	RELE DE LUCES EMERGE	WARNING RELAY	RELE DE PHARES EMERG		

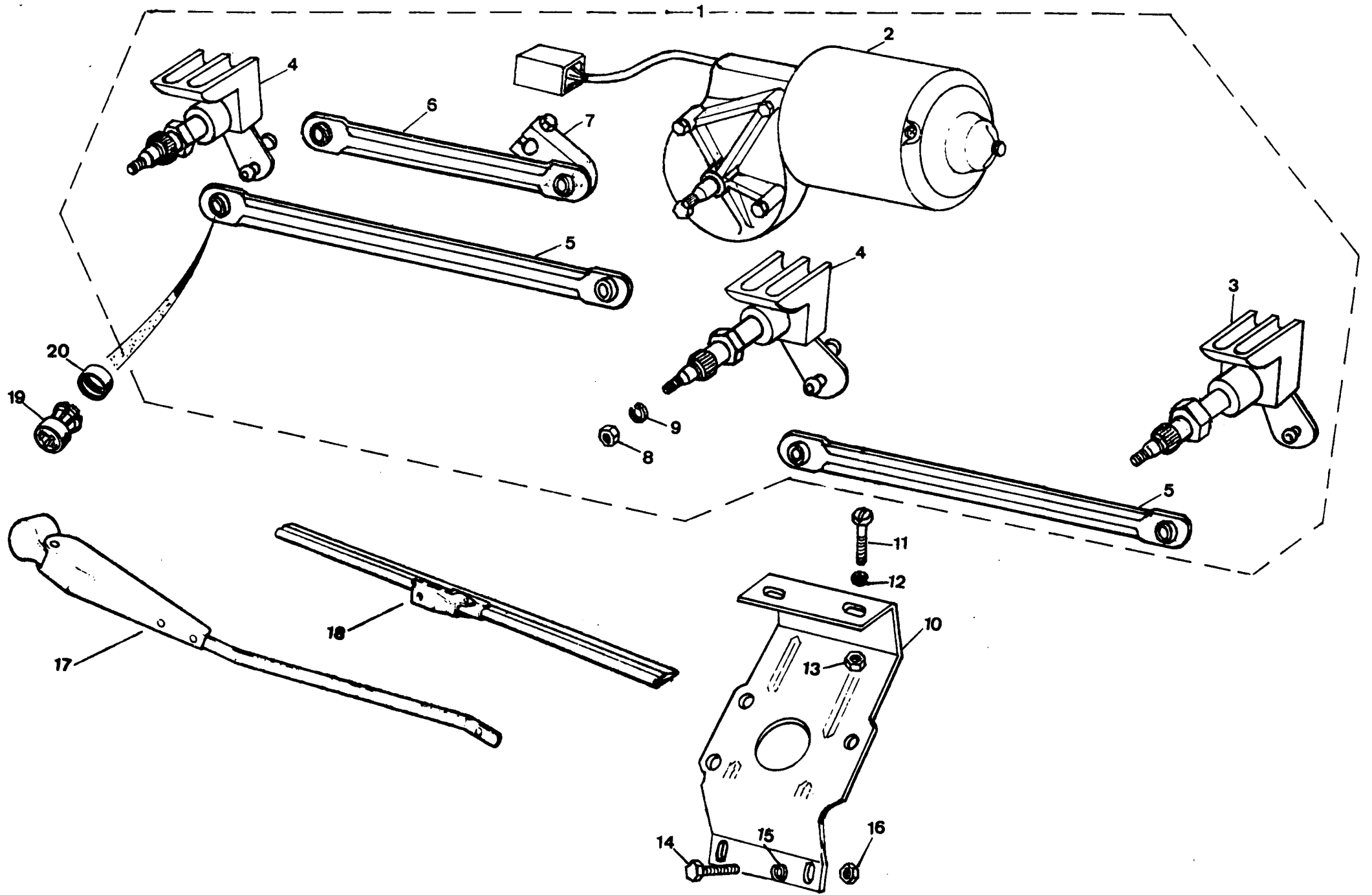


PUBLICACION N 880013  
EDICION N 1

GRUPO=05 SISTEMA ELECTRICO  
GROUP=05 ELECTRICAL SYSTEM  
GRUPE=05 SYSTEME ELECTRIQU

SUBGRUPO=LIMPIAPARABRISAS FEM  
SUBGROUP=WINDSCREEN FEMSA  
SUBGROUPE=ESSUIE GLACE FEMSA

N.FIG	N.PIEZA	CAN	DENOMINACION	DESCRIPTION	DENOMINATION	C H A S I S
PLATE	PARTNUMBER	QTY				
N.FIG	N.PIECE	OUT				
1	56396LKP	1	CONJ LIMPIAPARABRISA	WINDSCREEN WIPER	ENS ESSUIE GLACE	
	575137KA	1	CONJ LIMPIAPARAR ESP	WINDSCREEN WIPER SPE	ENS ESSUIE GLACE SPE	
2	191663	1	MOTOR LIMPIAPARABRIS	WINDSCREEN WIPER MOT	MOTEUR ESSUIE GLACE	
	193149	1	MOTOR LIMPIAPARA ESP	WINDSC WIP MOTOR SPE	MOTEUR ESSUIE GL SPE	
3	191668	2	CAJA RUEDAS	WHEELBOX	BOITIER DE ROUE	
4	193713	1	TUBO	PIPE	TUYAU	
5	193713	2	TUBO	PIPE	TUYAU	
6	193714	1	CABLE	CABLE	CABLE	
7	551230E2	1	BRAZO ESCOBILLA LD	ARM RH	BRAS CD	
	551230E3	1	BRAZO ESCO 88 LIG LD	ARM 88 LIG RH	BRAS 88 LIG CD	
	555714E2	1	BRAZO ESCOBILLA LI	ARM LH	BRAS CG	
	555714E3	1	BRAZO ESCO 88 LIG LI	ARM 88 LIG LH	BRAS 88 LIG CG	
8	551231E2	2	ESCOBILLA	BLADE	BALAI	
9	183291	2	TUERCA	NUT	ECROU	
	183291	2	TUERCA	NUT	ECROU	
10	183292	2	TUERCA	NUT	ECROU	
	183293	2	TUERCA	NUT	ECROU	
11	183288	2	ARANDELA	WASHER	RONDELLE	
	183289	2	ARANDELA 88 LIG	WASHER 88 LIG	RONDELLE 88 LIG	
12	78709	1	TORNILLO	SCREW	VIS	
13	505205	1	CLIP	CLIP	CLIP	
14	052257	1	ARANDELA	WASHER	RONDELLE	
15	181184	1	TUERCA	NUT	ECROU	





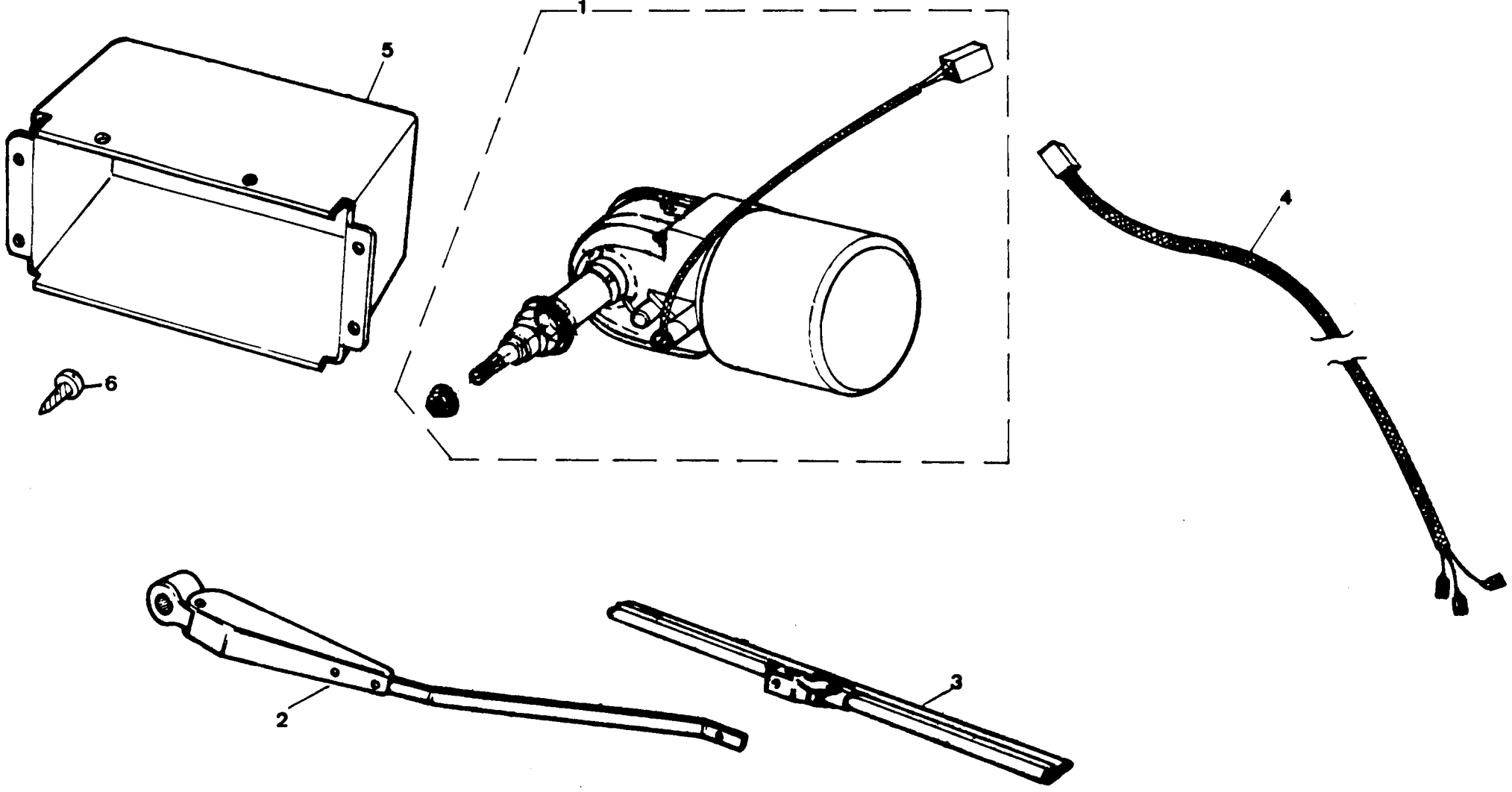
PUBLICACION N 980013  
EDICION N 1

GRUPO=05 SISTEMA ELECTRICO  
GROUP=05 ELECTRICAL SYSTEM  
GRUPE=05 SYSTEME ELECTRIQU

SUBGRUPO=LIMPIAPARABRISAS DOG  
SUBGROUP=WINDSCREEN DOGA  
SUBGROUPE=ESSUIE GLACE DOGA

N.FIG	N.PIEZA	CAN	DEFINOMINACION	DESCRIPTION	DENOMINATION	C H A S I S
PLATE	PARTNUMBER	QTY				
N.FIG	N.PIECE	OUT				
1	166536	1	COMU LIMPIAPARABRISA	WINDSCREEN WIPER ASS	ENSEMBL ESSUIE GLACE	
2	194069	1	MOTOR LIMPIAPARABRIS	WINDSCREEN WIPER MOT	MOTEUR USSUIE GLACE	
3	194070	1	CAJA RUEDAS	WHEEL BOX	BOITIER DE ROUE	
4	194071	2	CAJA RUEDAS	WHEEL BOX	BOITIER DE ROUE	
5	194066	2	TIRANTE	TIE ROD	TIRANT	
6	194067	1	TIRANTE	TIE ROD	TIRANT	
7	194068	1	BIELA	CONNECTING ROD	BIELLE	
8	194072	3	TUERCA	NUT	ECROU	
9	194073	3	ARANDELA	WASHER	RONDELLE	
10	194065	1	SUPORTE	SUPPORT	SUPPORT	
11	77941	2	TORNILLO	SCREW	VIS	
12	180124	2	ARANDELA	WASHER	RONDELLE	
13	3902	2	TUERCA	NUT	ECROU	
14	250959	2	TORNILLO	SCREW	VIS	
15	3073	2	ARANDELA	WASHER	RONDELLE	
16	2247	2	TUERCA	NUT	ECROU	
17	166534	3	BRAZO ESCOBILLA	ARM	BRASS	
18	166535	3	ESCOBILLA	BLADE	BALAI	
19	194319	6	CASQUILLO	BUSH	BAGUE	
20	194318	6	ANILLO	RING	ANNEAU	

050508



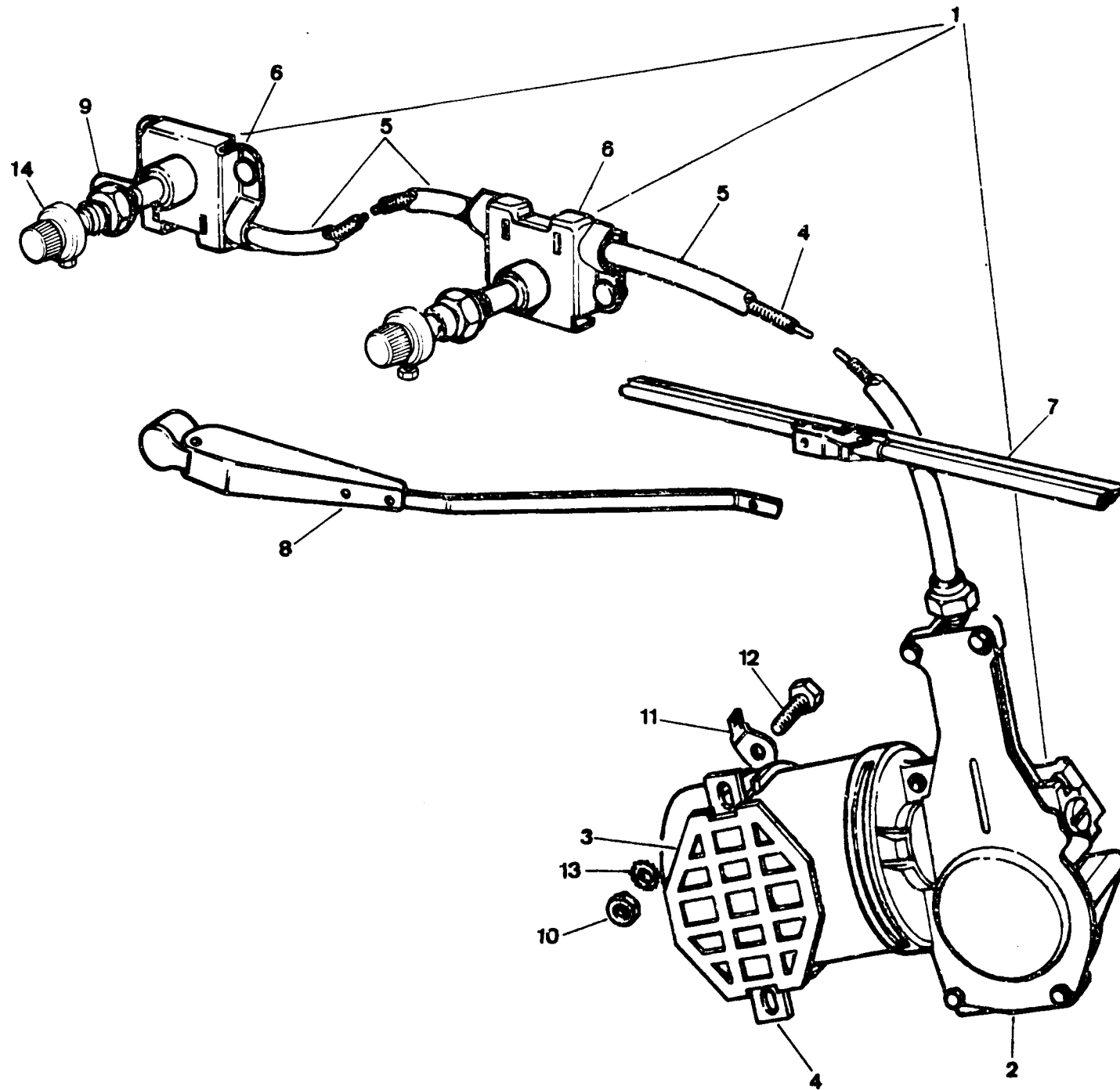
PUBLICACION N 830013  
EDICION N 1

GRUPO=75 SISTEMA ELECTRICO  
GRUPE=75 ELECTRICAL SYSTEM  
GRUPE=75 SYSTEME ELECTRIQU

SUBGRUPO=LIMPIAPARABRISAS DOG  
SUBGROUP=WINDSCREEN DOGA  
SUBGRUPE=ESSUIE GLACE DOGA

N.FIG	N.PIEZA	CAN	DENOMINACION	DESCRIPTION	DENOMINATION	C H A S I S
PLATE	PARTNUMBER	QTY				
N.FIG	N.PILCE	OUT				
1	171696	1	MOTOR LIMPIAPARABRIS	WINDSCREEN WIPER MOT	MOTEUR ESSVIE GLACE	
2	163507	1	BRAZO ESCOBILLA DOGA	ARM DOGA	BRAS DOGA	
3	163506	1	ESCOBILLA DOGA	BLADE DOGA	BALAI DOGA	
4	173644	1	CABLE	CABLE	CABLE	
5	281094	1	TAPA	COVER	COUVERCLE	
6	78140	6	TORNILLO	SCREW	VIS	

050002  
050516

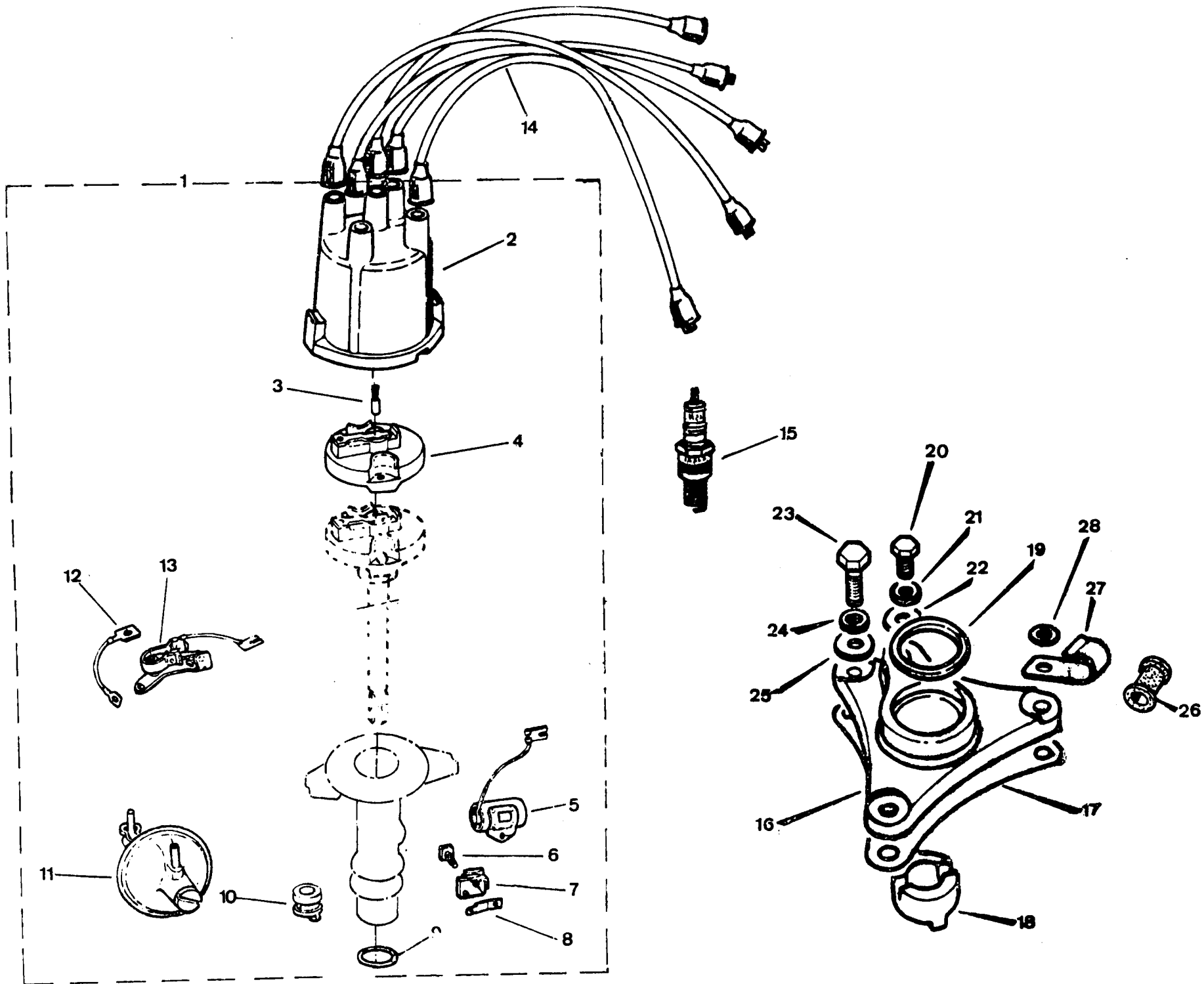


PUBLICACION N 980013  
EDICION N 1

GRUPO=05 SISTEMA ELECTRICO  
GROUP=05 ELECTRICAL SYSTEM  
GROUPE=05 SYSTEME ELECTRIQU

SUBGRUPO=LIMPIAPARABRISAS LUC  
SUBGROUP=WINDSCREEN LUCAS  
SUBGROUPE=ESSUIE GLACE LUCAS

N.FIG	N.PIEZA	CAN				
PLATE	PARTNUMBER	QTY				
N.FIG	N.PIECE	OUT	DENOMINACION	DESCRIPTION	DENOMINATION	C H A S I S
1	179773	1	CONJ LIMPIAPARABRISA	WINDSCREEN WIPER ASS	ENSEMBL ESSUIE-GLACE	
2	179777	1	MOTOR LIMPIAPARABRIS	WINDSCREEN WIPER MOT	MOTEUR ESSUIE-GLACE	
3	152844	1	GOMA	RUBBER	CAOUTCHOUC	
4	RTC202	1	CABLE	CROSS HEAD	CABLE	
5	AAU1979	1	TUBO	PIPE	TUYAN	
6	560287	2	CAJA RUEDAS	WHEEL BOX	BOITIER DE ROUE	
7	575436	2	ESCOBILLA	BLANDE	BALAI	
8	PRC2620	1	BRAZO ESCOBILLA L D	BLANDE ARM R H	BRAS DU BALAI C D	
	PRC2621	1	BRAZO ESCOBILLA L I	BLANDE ARM L H	BRAS DU BALAI C G	
9	575047	1	TUBO	PIPE	TUYAU	
10	181184	1	TUERCA	NUT	ECROU	
11	505205	1	TERMINAL	CONNECTOR	CONNECTEUR	
12	78709	1	TORNILLO	BOLT	BOULON	
13	352257	1	ARANDELA	WASHER	RONDELLE	
14	505204	2	TUERCA	NUT	ECROU	



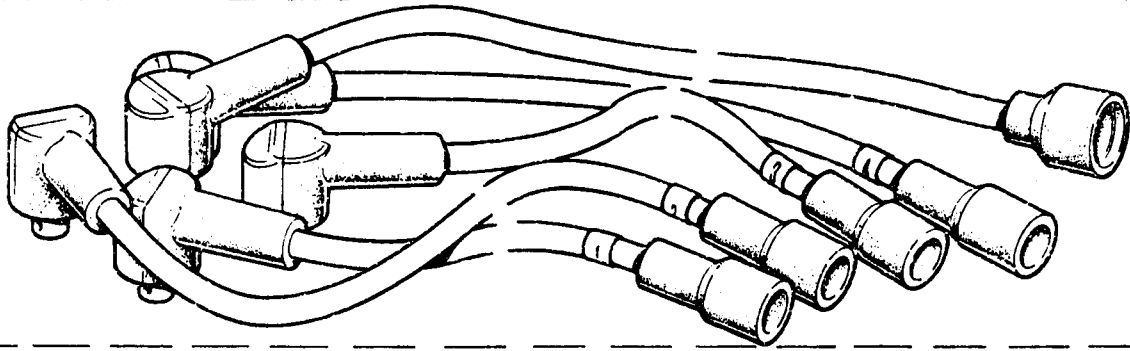
PUBLICACION N 890013  
EDICION N 1

GRUPO=05 SISTEMA ELECTRICO  
GROUP=05 ELECTRICAL SYSTEM  
GRUPE=05 SYSTEME ELECTRIQU

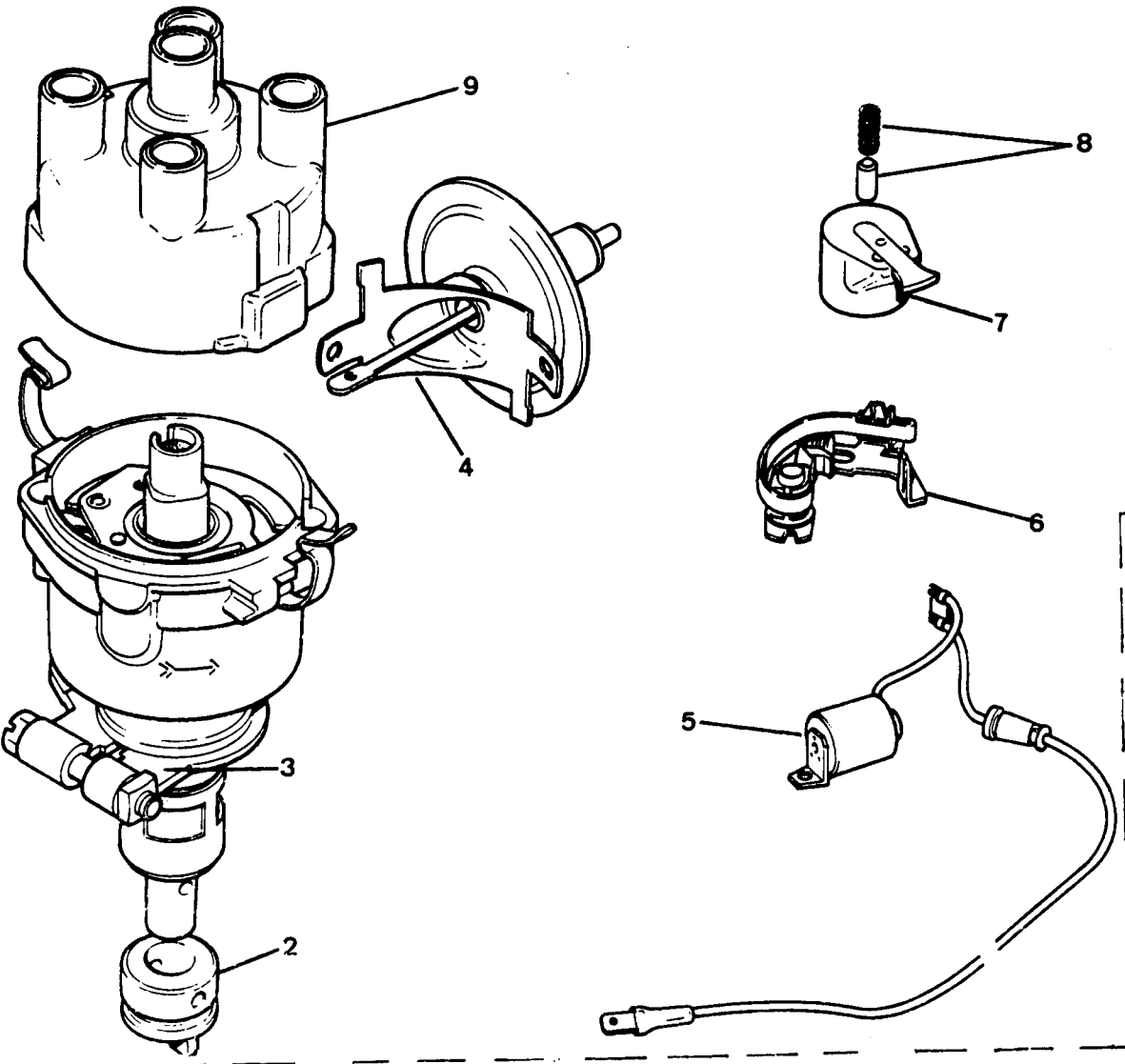
SUBGRUPO=DISTRIBUIDOR 4C  
SUBGROUP=DISTRIBUTOR 4C  
SUBGROUPE=DISTRIBUTEUR 4C

N.FIG	N.PIEZA	CAN	DENOMINACION	DESCRIPTION	DENOMINATION	C H A S I S
PLATE	PARTNUMBER	QTY				
N.FIG	N.PIECE	OUT				
1	574147F1	1	DISTRIBUIDOR	DISTRIBUTOR	DISTRIBUTEUR	
2	191708	1	TAPA	COVER	COUVERCLE	
3	191709	1	ESCOBILLA	BRUSH	BALAI	
4	191710	1	CONTACTO MOVIL	PLATE	PLAQUE	
5	191701	1	CONDENSADOR	CONDENSER	CONDENSAREUR	
6	191713	1	TORNILLO	SCREW	VIS	
7	191719	1	AISLANTE	INSULATION	ISOLANT	
8	191720	1	TERMINAL	TERMINAL	BORNE	
9	191716	1	ANILLO	RING	ANNEAU	
10	191717	1	CASQUILLO	BUSH	BAGUE	
11	191705	1	UNIDAD DE VACIO	VACUUM UNIT	BOITE DEPRESSION	
12	191703	1	CONEXION	LEAD	FIL	
13	191712	1	CONTACTOS RUPTOR	CONTACT BREAKER	JEU DE CONTACTS	
14	587967F2	1	JUEGO DE CABLES	IGNITION LEAD	JEU DE FIL	
15	558042E1	4	BUJIAS CAMPION 7 1	CHAMPION SPARK 7 1	BOUGIE CHAMPION 7 1	
	558047F1	4	BUJIAS FIRESTONE 7 1	FIRESTONE SPARK 7 1	BEUGIE FIRESTONE 7 1	
	574360	4	BUJIAS CHAMPION 8 1	CHAMPION SPARK P 8 1	BUIGIE CHAMPION 8 1	
	574360F1	4	BUJIAS FIRESTONE 8 1	FIRESTONE SPARK 8 1	BUUGIE FIRESTONE 8 1	
16	549610	1	ADAPTADOR	ADAPTADOR	ADAPTEUR	
17	247212	1	JUNTA	JOINT	JOINT	
18	549611	1	ADAPTADOR	ADAPTADOR	ADAPTEUR	
19	52278	1	ANILLO	RING	ANNEAU	
20	183121	1	TORNILLO	BOLT	BOULON	
21	3074	1	ARANDELA	WASHER	RONDELLE	
22	3946	1	ARANDELA	WASHER	RONDELLE	
23	SH108001	3	TORNILLO	BOLT	BOULON	
24	WL108001	3	ARANDELA	WASHER	RONDELLE	
25	2550	3	ARANDELA	WASHER	RONDELLE	
26	06868	1	GOMA	RUBBER	CAOUTCHOUC	
27	239600	1	CLIP	CLIP	CLIP	
28	3946	1	ARANDELA	WASHER	RONDELLE	

050003  
050607  
050601

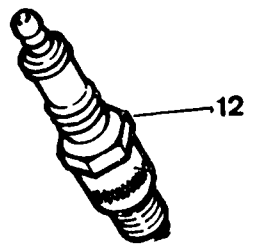
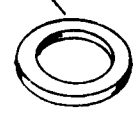


10



1

11



12

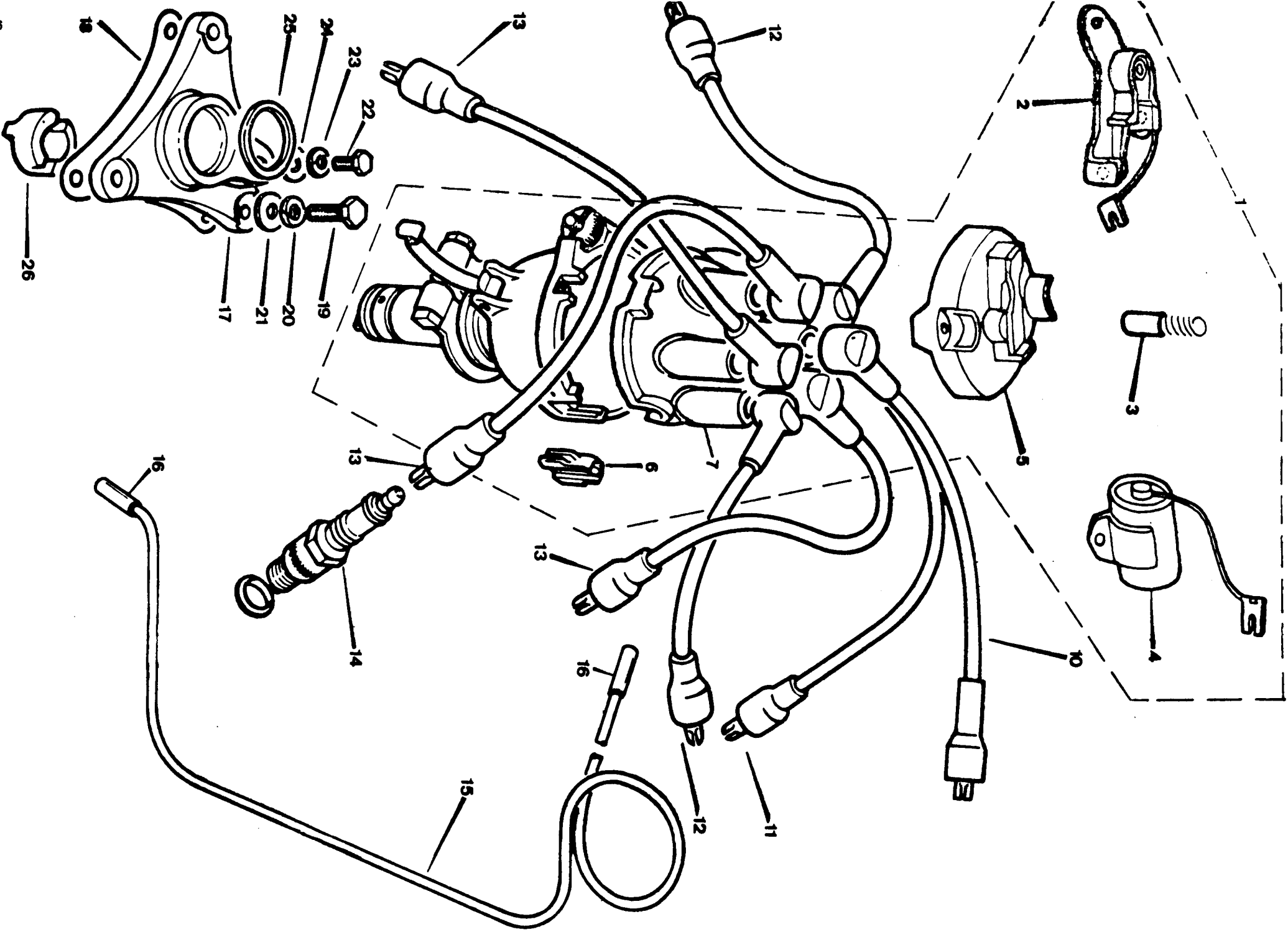


PUBLICACION N 393313  
EDICION N 1

GRUPO=75 SISTEMA ELECTRICO  
GRUPE=75 ELECTRICAL SYSTEM  
GROUPE=75 SYSTEME ELECTRIQU

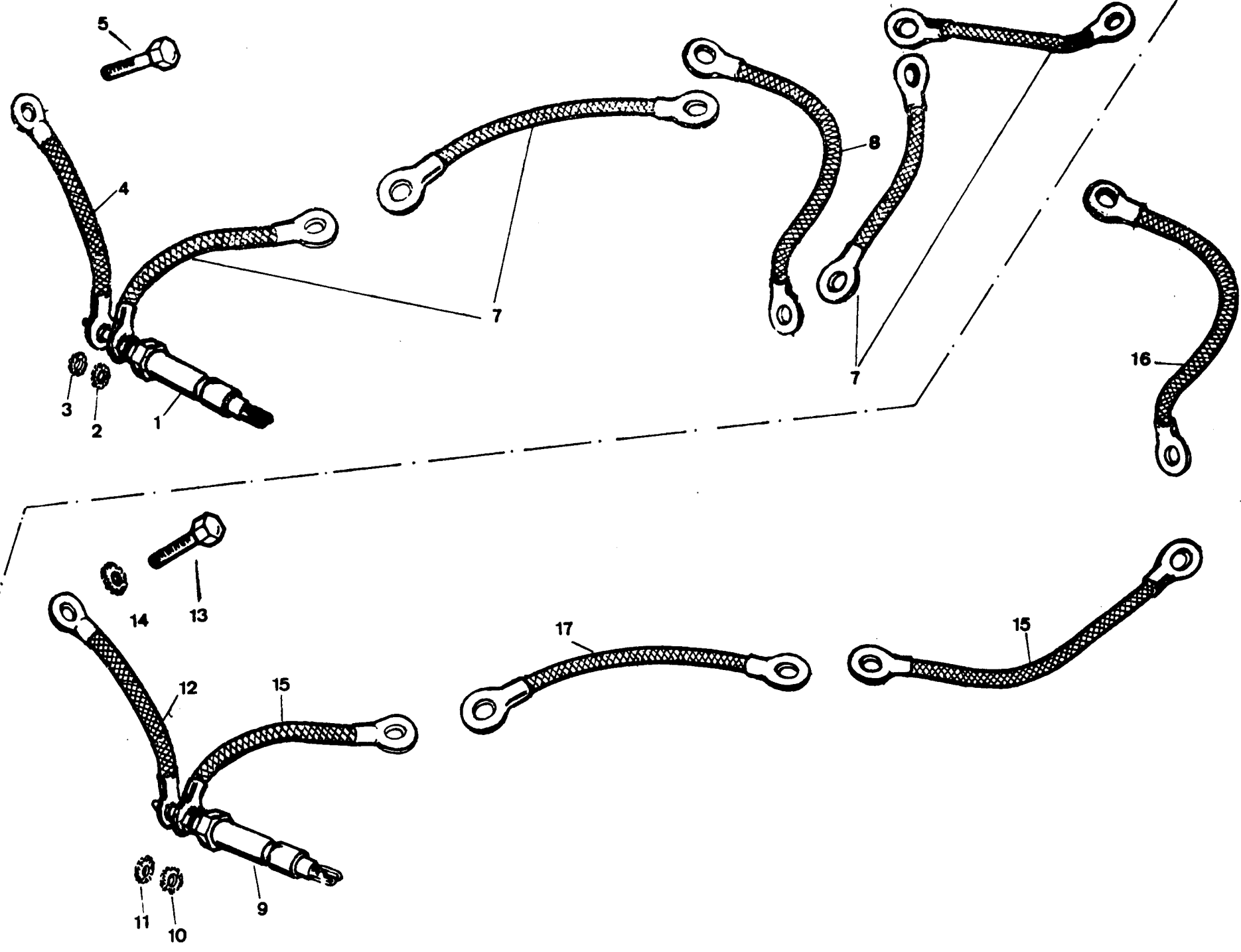
SUBGRUPO. DISTRIBUIDOR 4C LUCA  
SUBGRUPE=DISTRIBUTOR 4C LUCAS  
SUBGROUPE=DISTRIBUTEUR 4C LUCA

N.FIG	N.PIEZA	CAN	DENOMINACION	DESCRIPTION	DENOMINATION	C H A S I S
PLATE	PARTNUMBER	QTY				
N.FIG	N.PIECE	OUT				
1	ERC6926	1	DISTRIBUIDOR	LUCAS DISTRIBUTOR	DISTRIBUTEUR LUCAS	
2	513679	1	ACOPLAMIENTO	DRIVING DOG	ACCOUPLLEMENT	
3	245073	1	PLACA ARRAZADERA	DAMPING PLATE	PLAQUE COULLIER	
4	AEL1134	1	UNIDAD DE VACIO	VACUUM UNIT	BOITE OEPRESSION	
5	GSC118	1	CONDENSADOR	CONDENSER	CONDENSATEUR	
6	GCS124	1	CONTACTOR RUPTOR	CONSTAC BREAKER	JEU DE CONTACTS	
7	GRA114	1	ROTOR	ROTOR ARM	DOIGT	
8	RTC315	1	ESCOBILLA Y MUELLE	BRUSH AND SPRING	BALAI ET RESSOR	
9	GDC176	1	TAPA	COVER	COUVERCLE	
10	ERC3286	1	JUEGOS DE CABLES	LEAD SEAD	JEU DE FIL	
11	112698	1	ANILLO	RING	ANEAU	
12	558042E1	4	BUJIA CHAMPION 7 1	CHAMPION SPARK 7 1	BOUGIE CHAMPION 7 1	
	558042F1	4	BUJIA FIRESTONE 7 1	FIRESTONE SPARK 7 1	BUGIE FIRESTONE 7 1	



PUBLICACION N 880013  
EDICION N 1GRUPO=05 SISTEMA ELECTRICO  
GROUP=05 ELECTRICAL SYSTEM  
GROUPE=05 SYSTEME ELECTRIQUSUBGRUPO=DISTRIBUIDOR 6C  
SUBGROUP=DISTRIBUTOR 6C  
SUBGROUPE=DISTRIBUTEUR 6C

N.FIG	N.PIEZA	CAN	DFNOMINACION	DESCRIPTION	DENOMINATION	C H A S I S
PLATE	PARTNUMBER	QTY				
N.FIG	N.PIECE	OUT				
1	117830	1	DISTRIBUIDOR	DISTRIBUIDOR	DISTRIBUTEUR	
2	191702	1	CONTACTOS RUPTOR	CONCT BREAKER	JEU DE CONCTS	
3	193292	1	ESCOBILLA	BRUSH	CHARBON	
4	191701	1	CONDENSADOR	CONDENSER	CONDENSATEUR	
5	191710	1	DEDO DEL DISTRIBU	ROTOR	ROTOR DE DISTRIBUTEU	
6	191719	1	AISLANTE	ANSULATOR	ISOLANT	
7	193291	1	TAPA	COVER	COUVERCLE	
8	112040	1	CABLE N 4	CABLE N 4	CABLE N 4	
10	112045	1	CABLE	CABLE	CABLE	
11	587255F2	1	CABLE N 3	CABLE N 3	CABLE N 3	
12	112039	2	CABLE 1 Y 6	CABLE 1 AND 6	CABLE 1 FT 6	
13	112040	3	CABLE 2 4 Y 5	CABLE 2 4 AND 5	CABLE 2 4 ET 5	
14	574360	6	BUJIA CHAMPION 8 1	SPARKING PLUG 8 1	BOUGIE CHAMPION 8 1	
	574360F1	6	BUJIA FIRESTONE 8 1	SPARKING PLUG FI 8 1	BOUGEI FIRESTONE 8 1	
15	111195	1	TUBO	PIPE	TUYAU	
16	566869H1	2	TUBE	PIPE	TUYAU	
17	549610	1	ADAPTADOR	ADAPTADOR	ADAPTEUR	
18	247212	1	JUNTA	JOINT	JOINT	
19	182118	3	TORNILLO	BOLT	BOULON	
20	3075	3	ARANDELA	WASHER	RONDELLE	
21	2550	3	ARANDELA	WASHER	RONDELLE	
22	193121	1	TUERCA	NUT	ECROU	
23	3074	1	ARANDELA	WASHER	RONDELLE	
24	3946	1	ARANDELA	WASHER	RONDELLE	
25	52278	1	ANILLO	RING	ANNEAU	
26	549611	1	ADAPTADOR	ADAPTOR	ADAPTEUR	

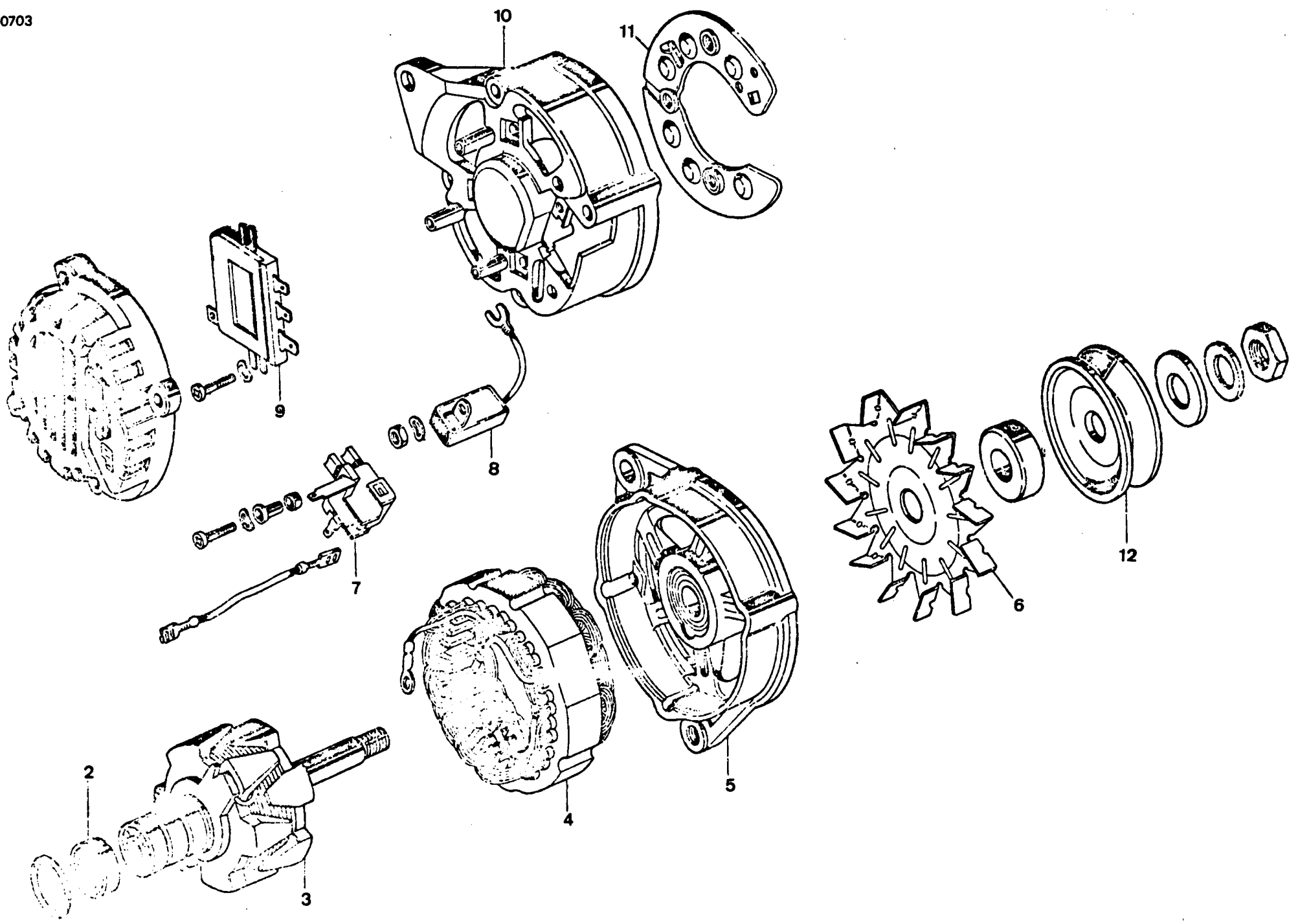


PUBLICACION N 880013  
EDICION N 1

GRUPO=75 SISTEMA ELECTRICO  
GROUP=75 ELECTRICAL SYSTEM  
GROUPE=75 SYSTEME ELECTRIQU

SUBGRUPO=BUJIAS DE CALDEO  
SUBGROUP=HEATING SPARK PLUGS  
SUBGROUPE=BOUGIE D CHALDEEN

N.FIG	N.PIEZA	CAN				
PLATE	PARTNUMBER	QTY				
N.FIG	N.PIECE	OUT	DENOMINACION	DESCRIPTION	DENOMINATION	C H A S I S
1	568330	6	BUJIA	HEATER PLUG	BOUGIE	
2	021440	6	ARANDELA	WASHER	RONDELLE	
3	055266	6	ARANDELA	WASHER	RONDELLE	
4	247950K1	1	CABLE	LEAD	CABLE	
5	255045	1	TORNILLO	SCREW	VIS	
6	055266	1	ARANDELA	WASHER	RONDELLE	
7	247951	4	CABLE	LEAD	CABLE	
8	247952	1	CABLE CENTRAL	CENTRAL LEAD	CABLE CENTRAL	
9	568335	4	BUJIA	HEATER PLUG	BOUGIE	
10	021440	4	ARANDELA	WASHER	RONDELLE	
11	05819	4	ARANDELA	WASHER	RONDELLE	
12	247950K1	1	CABLE	CABLE	CABLE	
13	255045	1	TORNILLO	SCREW	VIS	
14	055266	1	ARANDELA	WASHER	RONDELLE	
15	247951	2	CABLE	LEAD	CABLE	
16	247951	1	CABLE	LEAD	CABLE	
17	247952	1	CABLE 4	ELAD 4	CABLE 4	

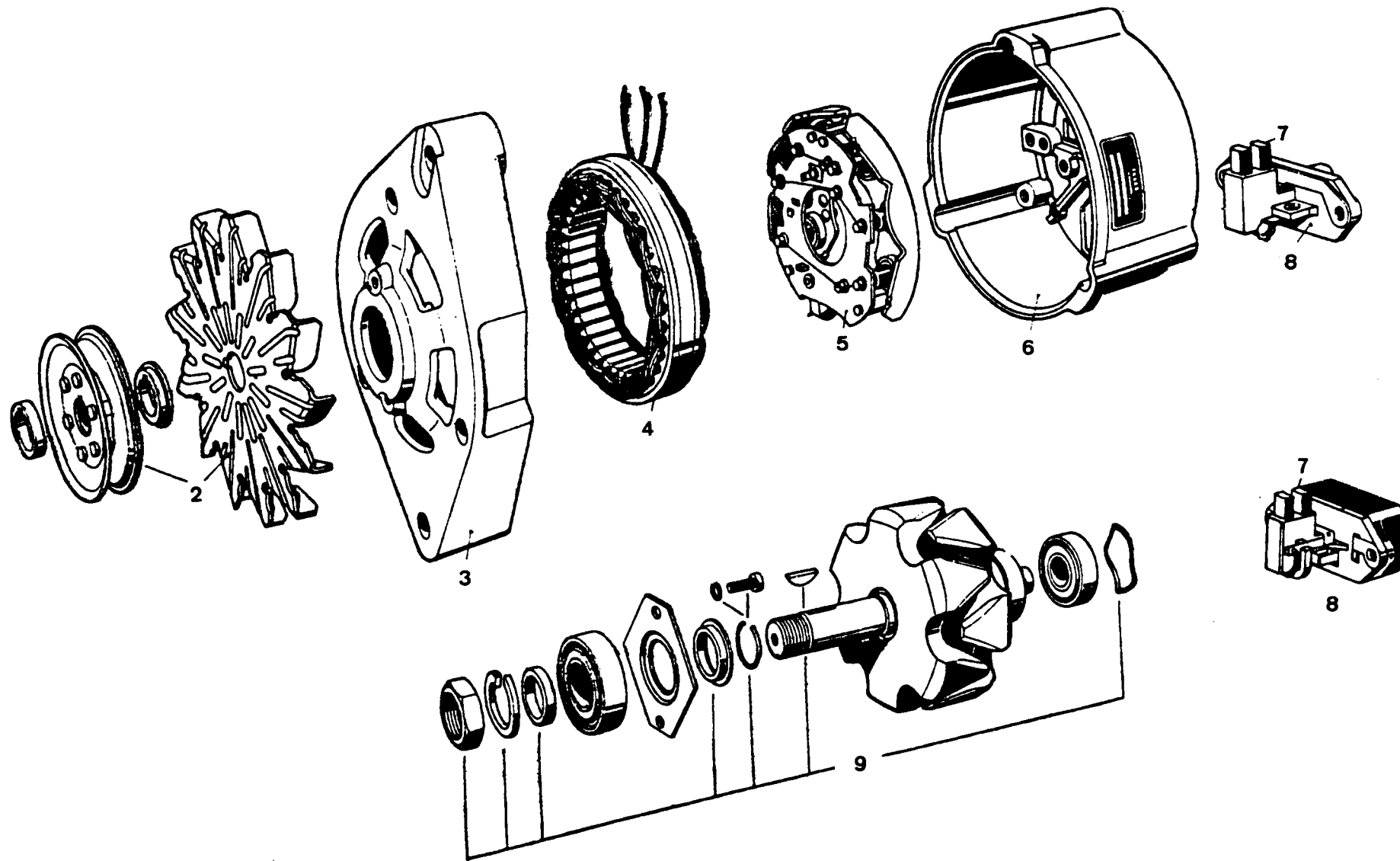


PUBLICACION N 89013  
EDICION N 1

GRUPO=15 SISTEMA ELECTRICO  
GRUPE=15 ELECTRICAL SYSTEM  
GRUPE=15 SYSTEME ELECTRIQU

SUBGRUPO=ALTERNADOR FEHS4C 6C  
SUBGROUP=ALTERNATOR FEHS4C 6C  
SUBGROUPE=ALTERNATEUR FEM4C 6C

N.FIG	N.PIEZA	CAN	DENOMINACION	DESCRIPTION	DENOMINATION	CHASSIS
PLATE	PARTNUMBER	QTY				
N.FIG	N.PIECE	OUT				
1	178602	1	ALTERNADOR ALT 12 N	ALTERNATOR ALT 12 N2	ALTERNATEUR ALT 12 N	
2	193171	1	RODAMIENTO	BEARING	ROULEMENT	
3	191527	1	ROTOR	ROTOR	ROTOR	
4	191519	1	INDUCIDO	STARTOR	INDUIT	
5	193168	1	SOPORTE	SUPPORT	SUPPORT	
6	191516	1	VENTILADOR	FAN	VENTILATEUR	
7	193172	1	PORTAESCOBILLA	BEU HOLDER	PORTE BALAIS	
8	193173	1	CONDENSADOR	CONDENSER	CONDENSATEUR	
9	193177	1	REGULADOR	REGULADOR	REGULATEUR	
10	193174	1	SOPORTE	SUPPORT	SUPPORT	
11	193149	1	PLACA RECTIFICADORA	RECTIFIER PLATE	RECTIFICATEUR	
12	193197	1	PLACA RECTIFIVADORA	RECTIER PLATE	RECTIFICATEUR	





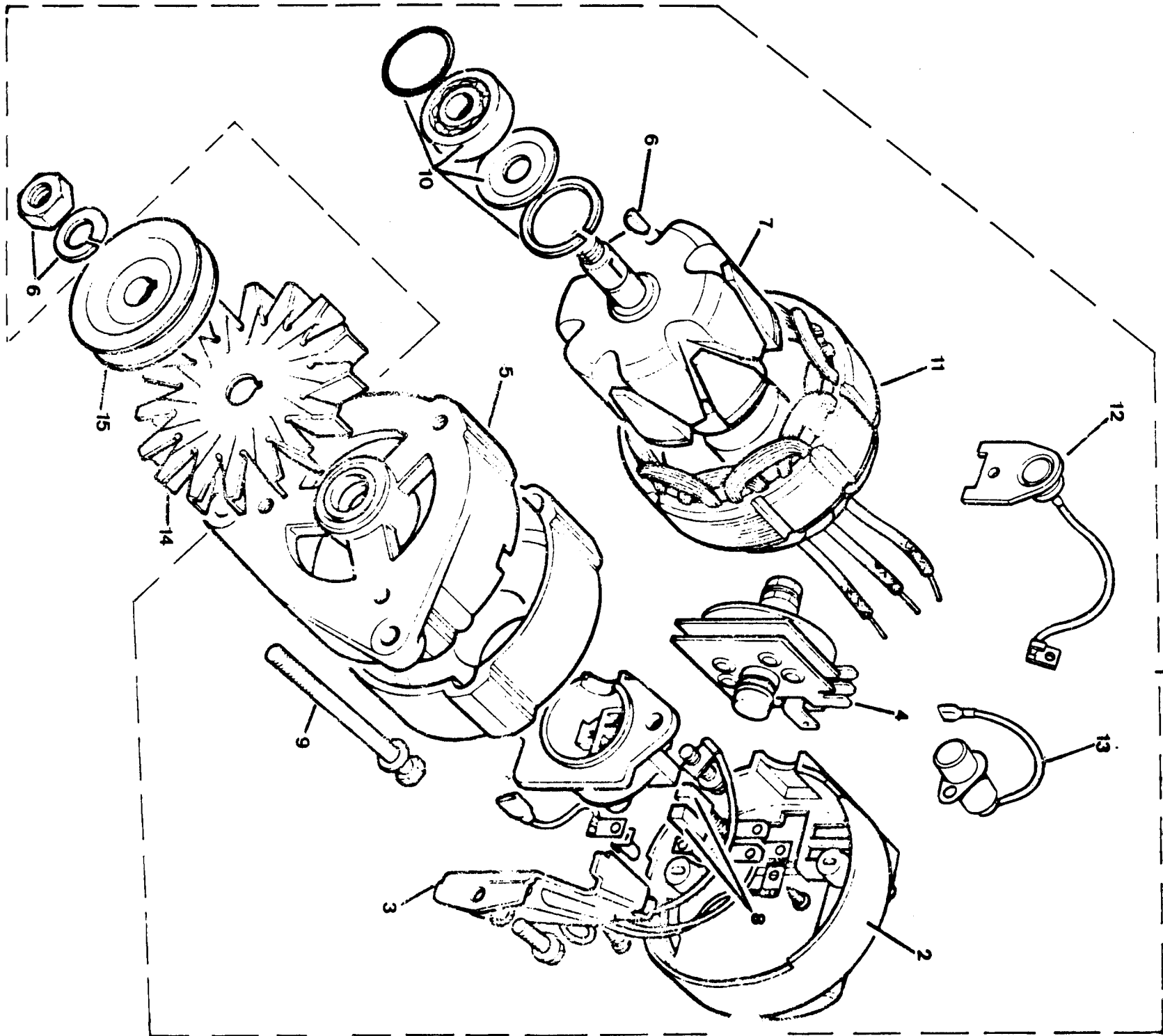
PUBLICACION N 880013  
 EDICION N 1

GRUPO=05 SISTEMA ELECTRICO  
 GROUP=05 ELECTRICAL SYSTEM  
 GROUPE=05 SYSTEME ELECTRIQU

SUBGRUPO=ALTERNADOR BOSCH 6C  
 SUBGROUP=ALTERNATOR BOSCH 6C  
 SUBGROUPE=ALTERNATEUR BOSCH 6C

N.FIG	N.PIEZA	CAN				
PLATE	PARTNUMBER	QTY				
N.FIG	N.PIECE	OUT	DENOMINACION	DESCRIPTION	DENOMINATION	C H A S I S
1	178602	1	ALTERNADOR BOSCH	ALTERNATOR BOSCH	ALTERNATEUR BOSCH	
2	193239	1	VENTILADOR Y POLCA	FAN AND PULLEY	VENTILATEUR ET POULI	
3	193220	1	SOPORTE	SUPPORT	SUPPORT	
4	193219	1	INDUCIDO	STATOR	INDUIT	
5	193234	1	RECTIFICADOR DIODOS	RECTIFIER PLATE	RECTIFIKAATEUR	
6	193229	1	SOPORTE	SUPPORT	SUPPORT	
7	193231	1	ESCOBILLAS	BRUSH	BALAI	
8	193230	1	CONS ROTOR	ROTOR ASSY	ENS ROTOR	
9	193240	1	CONJ ROTOR	ROTOR ASSY	ENS ROTOR	

050004  
050718  
050720

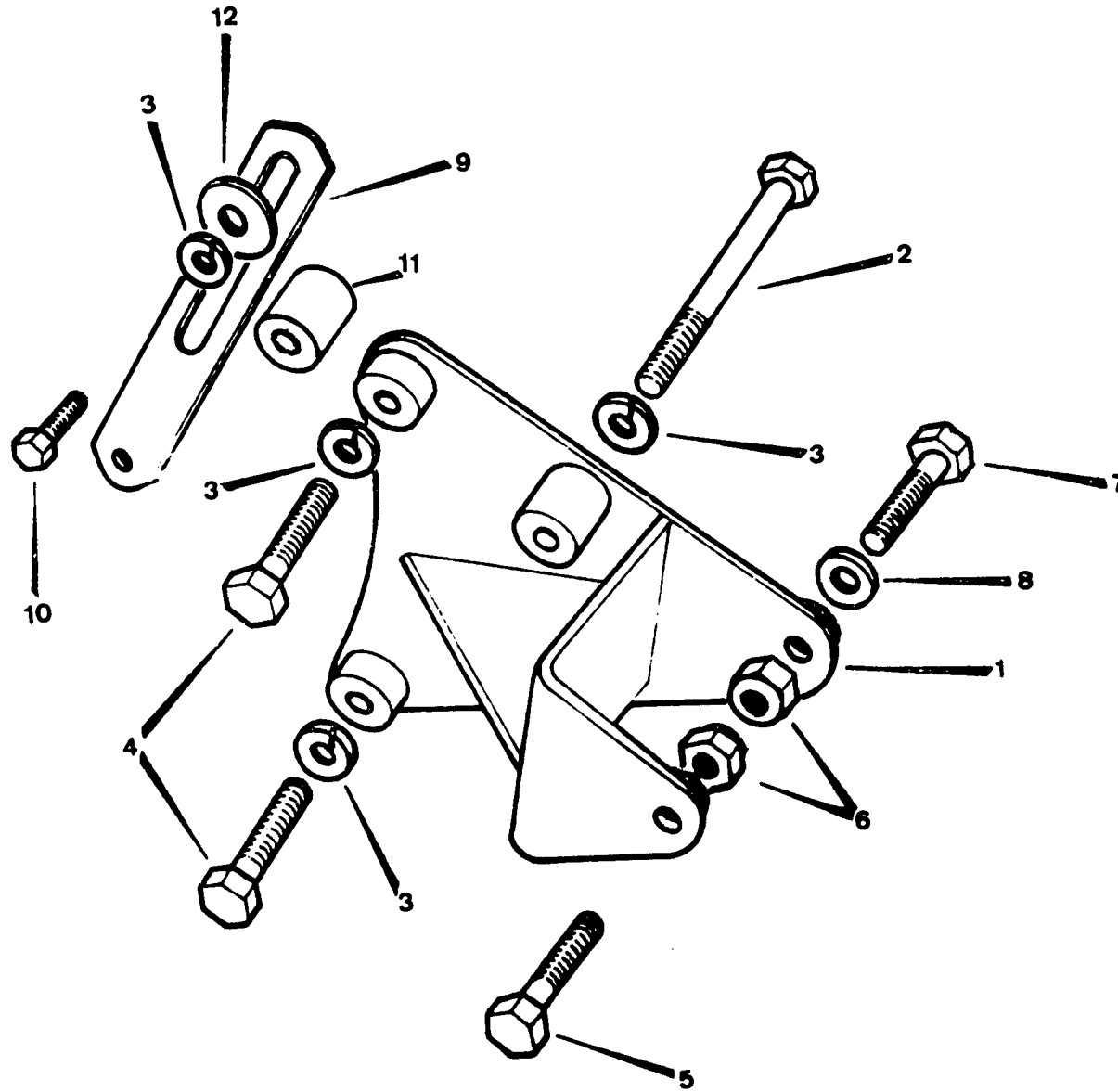


PUBLICACION N 880013  
EDICION N 1

GRUPO=15 SISTEMA ELECTRICO  
GROUP=15 ELECTRICAL SYSTEM  
GROUPE=15 SYSTEME ELECTRIQU

SUBGRUPO=ALTERNADOR LUCAS 4C  
SUBGROUP=ALTERNATOR LUCAS 4C  
SUBGROUPE=ALTERNATEUR LUCAS 4C

N.FIG	N.PIEZA	CAN	DENOMINACION	DESCRIPTION	DENOMINATION	C H A S I S
PLATE	PARTNUMBER	QTY				
N.FIG	N.PIECE	OUT				
1	589719	1	ALTERNADOR LUCAS	LUCAS ALTERNATOR	ALTERNATEUR LUCAS	
2	NKC484	1	TAPA	COVER	COUVERCLE	
3	RTC1703	1	REGULADOR	REGULATOR	REGULATEUR	
4	RTC1704	1	RECTIFICADOR	RECTIFIER	RECTIFICATEUR	
5	JS487	1	SOPORTE	SUPPORT	SUPPORT	
6	JS495	1	JUEGO REPARACION	REPAIR KIT	JEU REPARATION	
7	AAU2153	1	ROTOR	ROTOR	ROTOR	
8	606574	1	ESCORILLA	BRUSH	BALAIS	
9	606825	3	TORNILLO	BOLT	BOULON	
10	JS495	1	CHEVETA TUERCA Y ARA	KEY NUT AND WASHER	CLAVETTE ECROU ET RO	
11	AEU1565	1	INDUCIDO	ARMATURE	INDUIT	
12	AAU8000	1	SUPRESOR	SUPPRESSOR	ANT PARASITE	
13	608174	1	CONDENSADOR	CONDENSER	CONDENSATEUR	
14	AAU3956	1	VENTILADOR	FAN	VENTILATEUR	
15	112424	1	POLEA	PULLEY	POULIE	

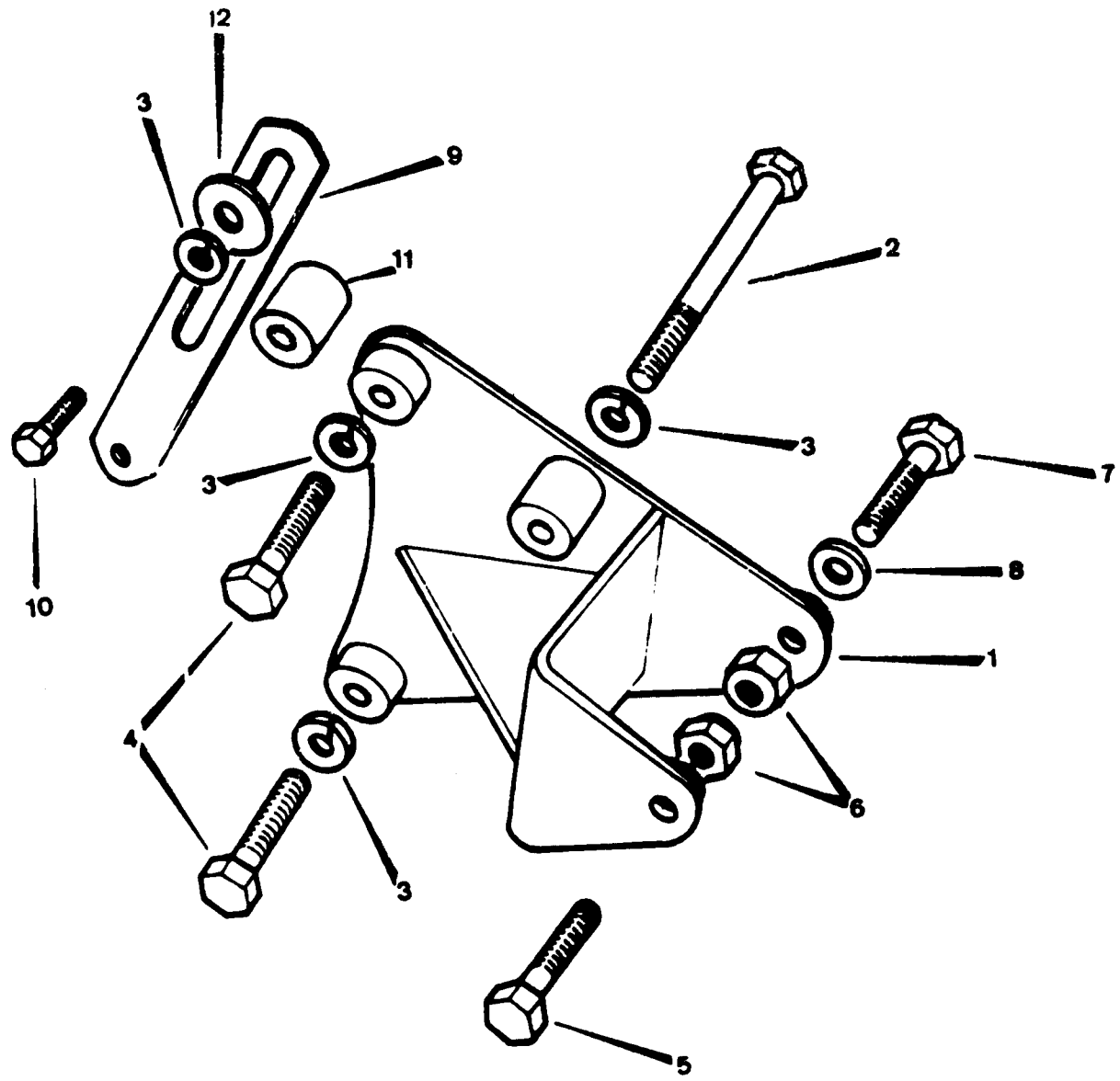


PUBLICACION N 880013  
EDICION N 1

GRUPO=EL SISTEMA ELECTRICO  
GROUP=THE ELECTRICAL SYSTEM  
GROUPE=LE SYSTEME ELECTRIQU

SUBGRUPO=ALTERNAD LUCAS SUPER  
SUBGROUP=ALTERNAT LUCAS SUPER  
SUBGROUPE=ALTERNAT LUCAS SUPER

N.FIG	N.PIEZA	CAN	DENOMINACION	DESCRIPTION	DENOMINATION	C H A S I S
PLATE	PARTNUMBER	QTY				
N.FIG	N.PIECE	OUT				
1	589719	1	ALTERNADOR LUCAS	LUCAS ALTERNATOR	ALTERNATEUR LUCAS	
2	NK0484	1	TAPA	COVER	COUVERCLE	
3	RTC1003	1	REGULADOR	REGULATOR	REGULATEUR	
4	RTC1004	1	RECTIFICADOR	RECTIFIER	RECTIFICATEUR	
5	JS487	1	SOPORTE	SUPPORT	SUPPORT	
6	JS499	1	JUEGO DE REPARACION	REPAIR KIT	JEU REPARATION	
7	AAU2053	1	ROTOR	ROTOR	ROTOR	
8	GG6504	1	ESCOBILLA	BRUSH	BALAIS	
9	606835	3	TORNILLO	BOLT	BOULON	
10	JS499	1	CHAVETA TUERCA Y ARA	KEY NUT AND WASHER	CHAVETTE ECROU ET RO	
11	AGU1969	1	INDUCIDO	STATOR	INDUIT	
12	AALE600	1	SUPRESOR	SUPPRESSOR	ANTI-PARASITE	
13	606874	1	CONDENSADOR	CONDENSER	CONDENSATEUR	
14	AAU3996	1	VENTILADOR	FAN	VENTILATEUR	
15	112424	1	POLEA	PULLEY	POULIE	

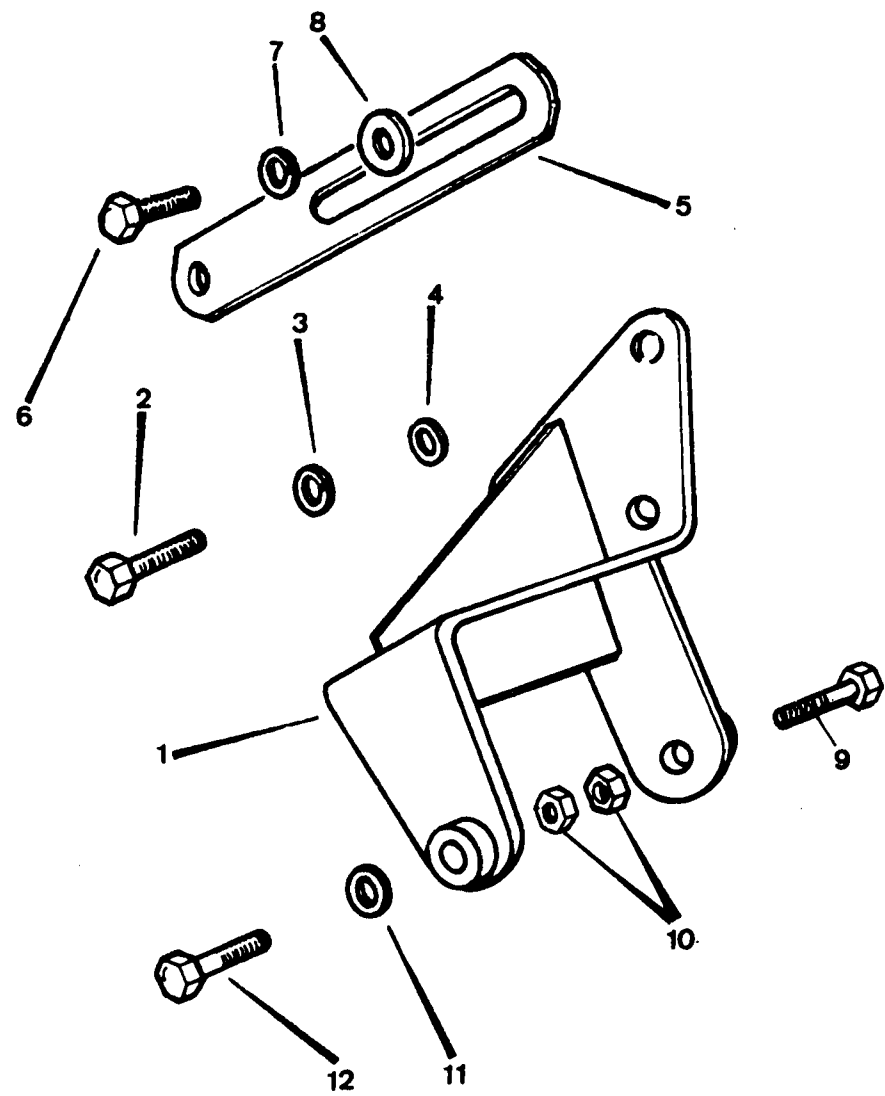


PUBLICACION N 88J013  
EDICION N 1

GRUPO=05 SISTEMA ELECTRICO  
GROUP=05 ELECTRICAL SYSTEM  
GROUPE=05 SYSTEME ELECTRIQU

SUBGRUPO=SOPORTE ALTERNADO 4C  
SUBGROUP=ALTERNATOR SUPPOR 4C  
SUBGROUPE=SUPPORT ALTERNATE 4C

N.FIG	N.PIEZA	CAN	DENOMINACION	DESCRIPTION	DENOMINATION	C H A S I S
PLATE	PARTNUMBER	QTY				
N.FIG	N.PIECE	OUT				
1	ERC5535	1	SOPORTE ALTERNADOR	ALTERNATOR BRACKET	SUPPORT D ALTERNATE	
2	18510	1	TORNILLO	BOLT	BOULON	
3	3-75	4	ARANDELA	WASHER	RONDILLE	
4	18212	2	TORNILLO	BOLT	BOULON	
5	182125	1	TORNILLO	BOLT	BOULON	
6	181169	2	TUERCA	NUT	ECROU	
7	182125	1	TORNILLO	BOLT	BOULON	
	182135	1	TORNILLO	BOLT	BOULON	
8	3841	1	ARANDELA	WASHER	RONDILLE	
9	568789	1	TENSOR	ALTAN ADJUSTING L	TENDEUR	
10	SX118071	1	TORNILLO	BOLT	BOULON	
11	574948	1	SEPARADOR	SPACER	ENTRETOISE	
12	2260	1	ARANDELA	WASHER	RONDILLE	





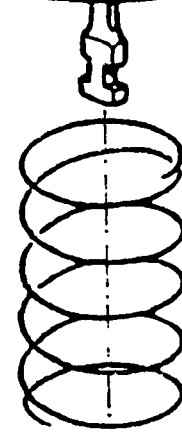
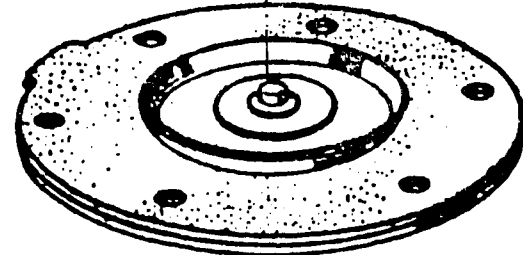
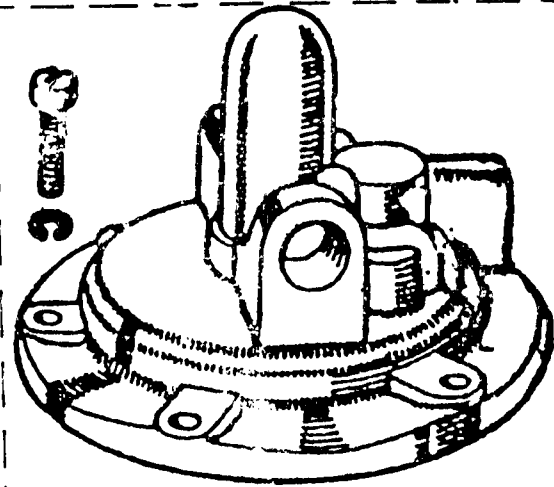
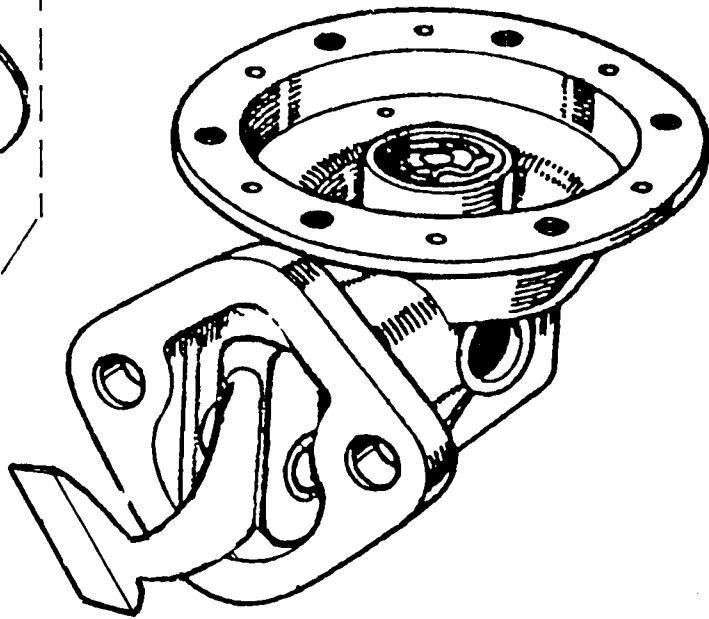
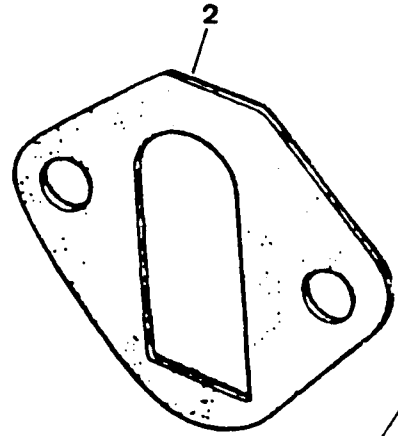
PUBLICACION N 980013  
EDICION N 1

GRUPO=04 SISTEMA ALIMENTAC  
GRUPE=04 FUEL SYSTEM  
GROUPE=04 SYSTEMA D ALIMENT

SUBGRUPO=BOMBA DE COMBUS 4C G  
SUBGROUP=FUEL PUMP 4C P  
SUBGROUPE=POMPE A ESSENCE 4C E

N.FIG	N.PIEZA	CAN	DENOMINACION	DESCRIPTION	DENOMINATION	C H A S I S
PLATE	PARTNUMBER	QTY				
N.FIG	N.PIECE	OUT				
1	549761F2	1	BOMBA COMBUSTIBLE	FUEL PUMP	POMPE A ESSENCE	
2	275565	1	JUNTA	JOINT	JOINT	
3	181173	2	TUERCA	NUT	ECROU	
4	193774	1	JUEGO R BOMBA COMBUS	REPAIR KIT FUEL PUMP	JEU REPARAT POMPE ES	

040005  
040033  
040803  
040811  
040804



4

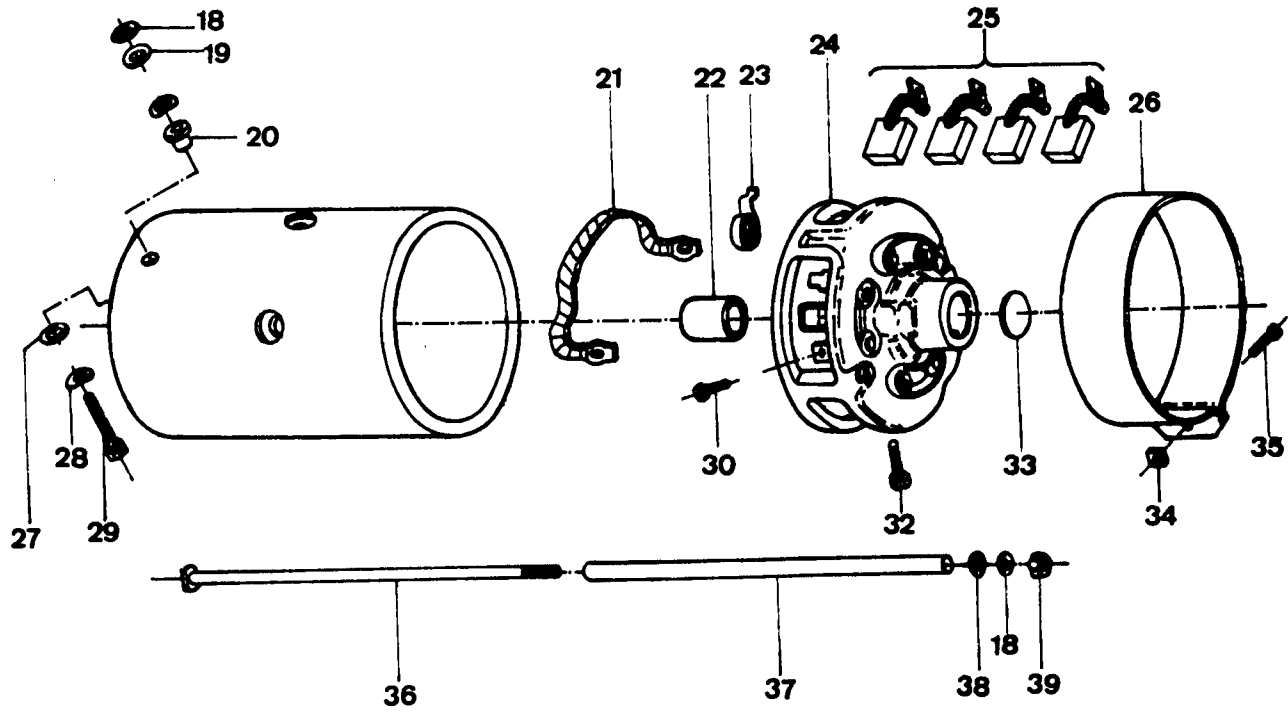
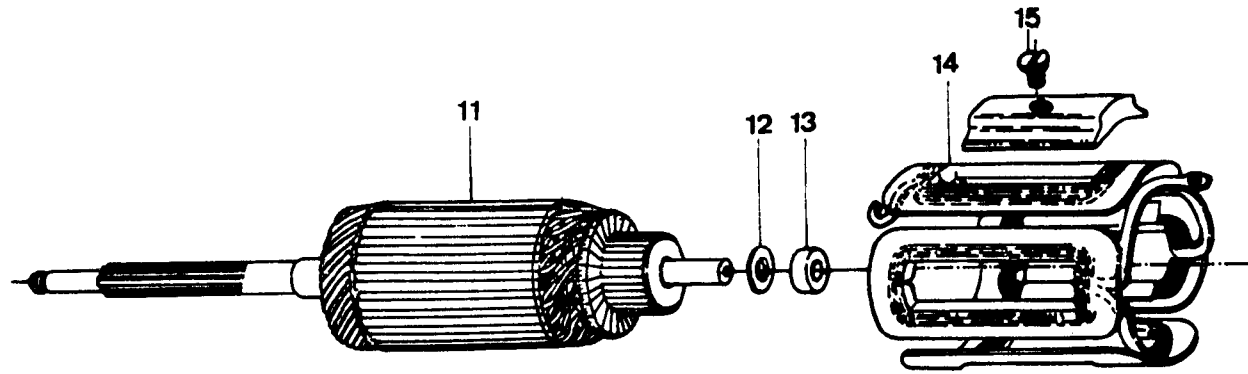
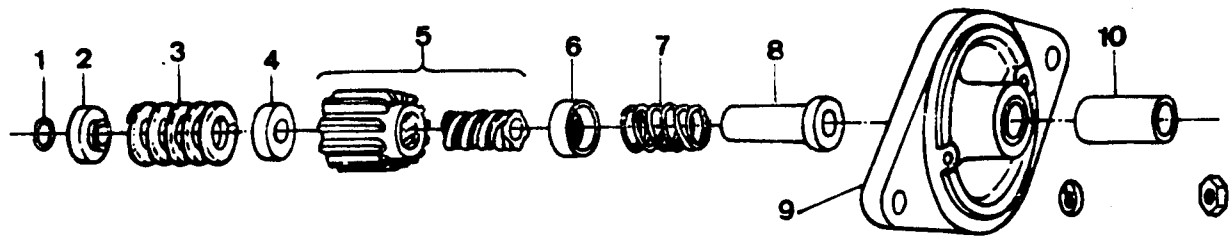
PUBLICACION N 890213  
EDICION N 1

GRUPO=15 SISTEMA ELECTRICO  
GROUP=15 ELECTRICAL SYSTEM  
GROUPE=15 SYSTEME ELECTRIQU

SUBGRUPO=SOORTE ALTERNADO 6C  
SUBGROUP=ALTERNATOR SUPPOR 6C  
SUBGROUPE=SUPPORT ALTERNATE 6C

N.FIG	N.PIEZA	CAN	DENOMINACION	DESCRIPTION	DENOMINATION	C H A S I S
PLATE	PARTNUMBER	QTY				
N.FIG	N.PIECE	OUT				
1	718398	1	Soporte Cazorla	Bracket Cazorla	Support Cazorla	
1	117866	1	SUORTE ALTERNADOR	ALTERNATOR BRACKET	SUPPORT D ALTERNATE	
2	182118	3	TORNILLO	BOLT	BOULON	
3	3078	3	ARANDELA	WASHER	RONDELLE	
4	2550	3	ARANDELA	WASHER	RONDELLE	
5	111198	1	TENDOR	ADJUNTING	TENDEUR	
6	5X108701	1	TORNILLO	BOLT	BOULON	
7	3078	1	ARANDELA	WASHER	RONDELLE	
8	2200	2	ARANDELA	WASHER	RONDELLE	
9	182135	1	TORNILLO	BOLT	BOULON	
10	132160	2	TUERCA	NUT	ECROU	
11	3841	1	ARANDELA	WASHER	RONDELLE	
12	182124	1	TORNILLO	BOLT	BOULON	

050902  
168835



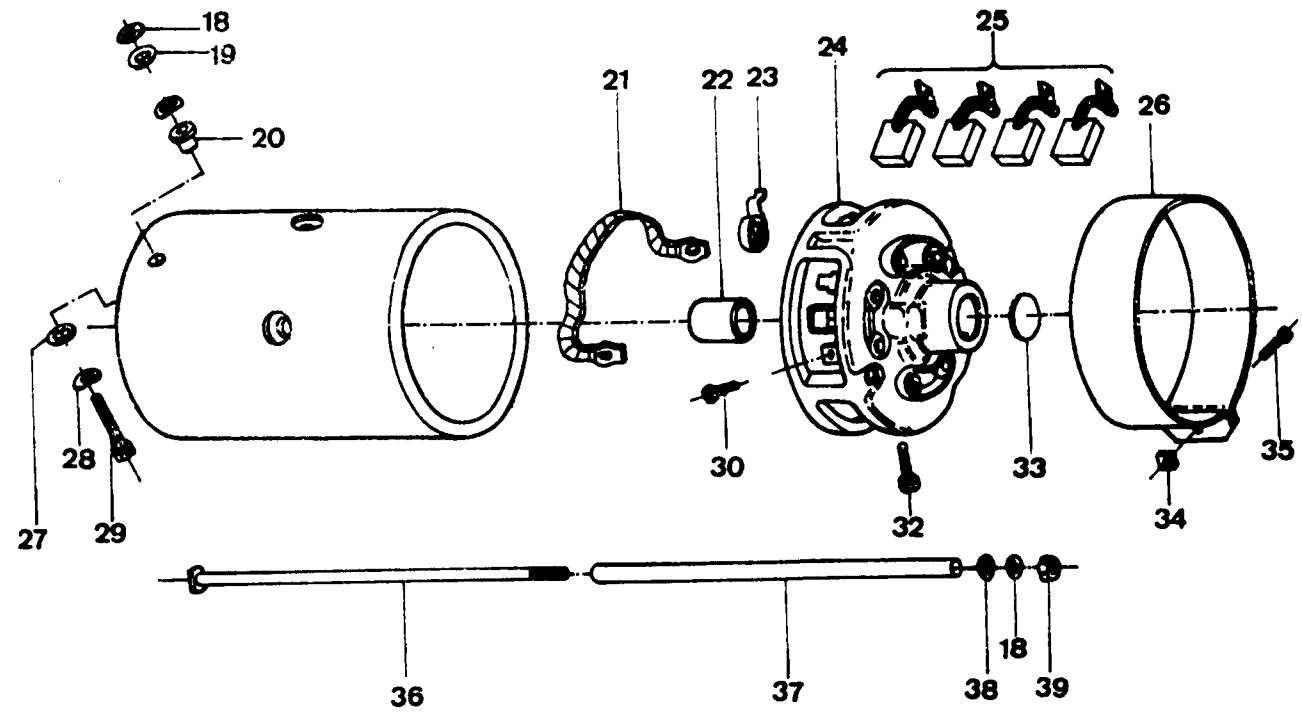
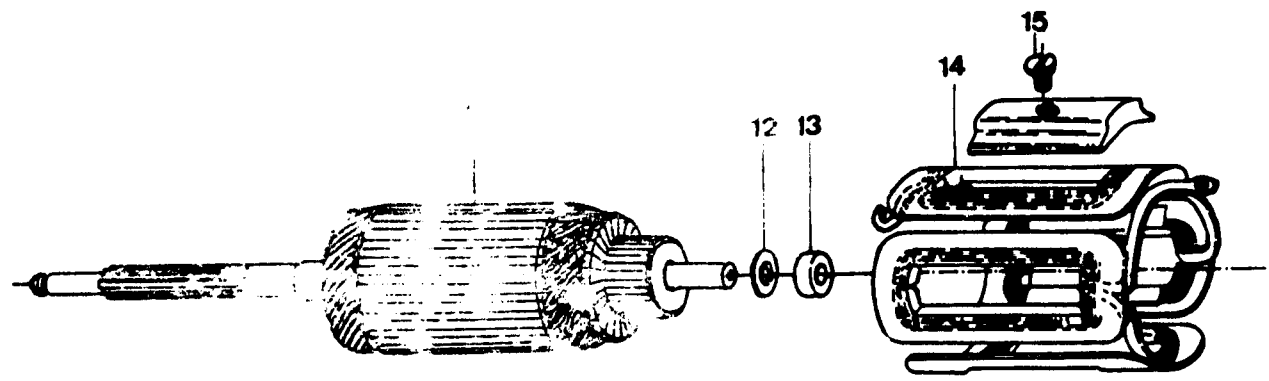
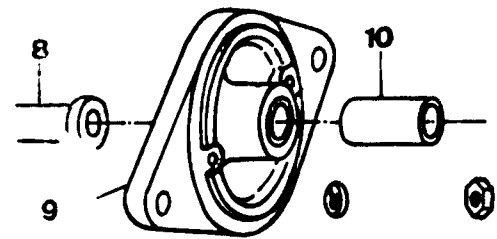
PUBLICACION N 380013  
EDICION N 1

GRUPO=5 SISTEMA ELECTRICO  
GROUP=5 ELECTRICAL SYSTEM  
GROUPE=5 SYSTEME ELECTRIQU

SUBGRUPO=MOTOR ARR FEMSA 4C G  
SUBGROUP=STARTER M FEMSA 4C P  
SUBGROUPE=DEMARREUR FEMSA 4C E

N.FIG PLATE	N.PIEZA PARTNUMBER	CAN QTY	DENOMINACION	DESCRIPTION	DENOMINATION	C H A S I S
	168235	1	CONJ MOTOR ARRANQUE	STARTER MOTOR ASSY	ENSEMBLE DEMARREUR	
1	192394	1	ANILLO	RING	ANNEAU	
2	192381	1	CASQUILLO	BUSH	BAGUE	
3	192395	1	MUELLE	SPRING	RESSORT	
4	192371	1	CASQUILLO	BUSH	BAGUE	
5	192372	1	PINON	PINION	PIGNON	
6	192396	1	CAZOLETA	BUCKET	BAGUE RETENUE	
7	192392	1	MUELLE	SPRING	RESSORT	
8	192373	1	CASQUILLO	BUSH	BAGUE	
9	192397	1	SOPORTE	BRACKET	SUPPORT	
10	192374	1	CASQUILLO	BUSH	BAGUE	
11	192386	1	INDUCIDO	ARMATUPE	EXCITATION	
12	192398	1	ARANDELA	WASHER	RONDELLE	
13	192376	1	CASQUILLO	BUSCH	BAGUE	
14	192387	1	INDUCTOR	FIELD COIL	INDUIT	
15	192383	1	TORNILLO	BOLT	BOULON	
16	192400	2	ARANDELA	WASHER	RONDELLE	
17	192401	1	ARANDELA	WASHER	RONDELLE	
18	192402	1	CASQUILLO	BUSH	BAGUE	
19	192384	1	CONEXION	CONNECTION	CONNECTION	
20	192378	1	CASQUILLO	BUSH	BAGUE	
21	192385	1	MUELLE	SPRING	RESSORT	
22	192379	1	SOPORTE	BRACKET	SUPPORT	
23	192280	1	ESCOBILLAS	BRUSH	BALAI	
24	192403	1	ABRAZADERA	COVER BAND	COLLIER	
25	192404	1	ARANDELA	WASHER	RONDELLE	
26	192377	2	ARANDELA	WASHER	RONDELLE	
27	192407	1	ARANDELA	WASHER	RONDELLE	
28	192408	1	DISCO	PLATE	DISQUE	
29	169198	1	TUBO	TUT	ECROU	
30	192410	1	TORNILLO	BOLT	VIS	
31	192411	1	TORNILLO	BOLT	VIS	
32	192412	1	TUBO	PIPE	TUYAU	
33	192413	1	ARANDELA	WASHER	RONDELLE	

050902  
168835

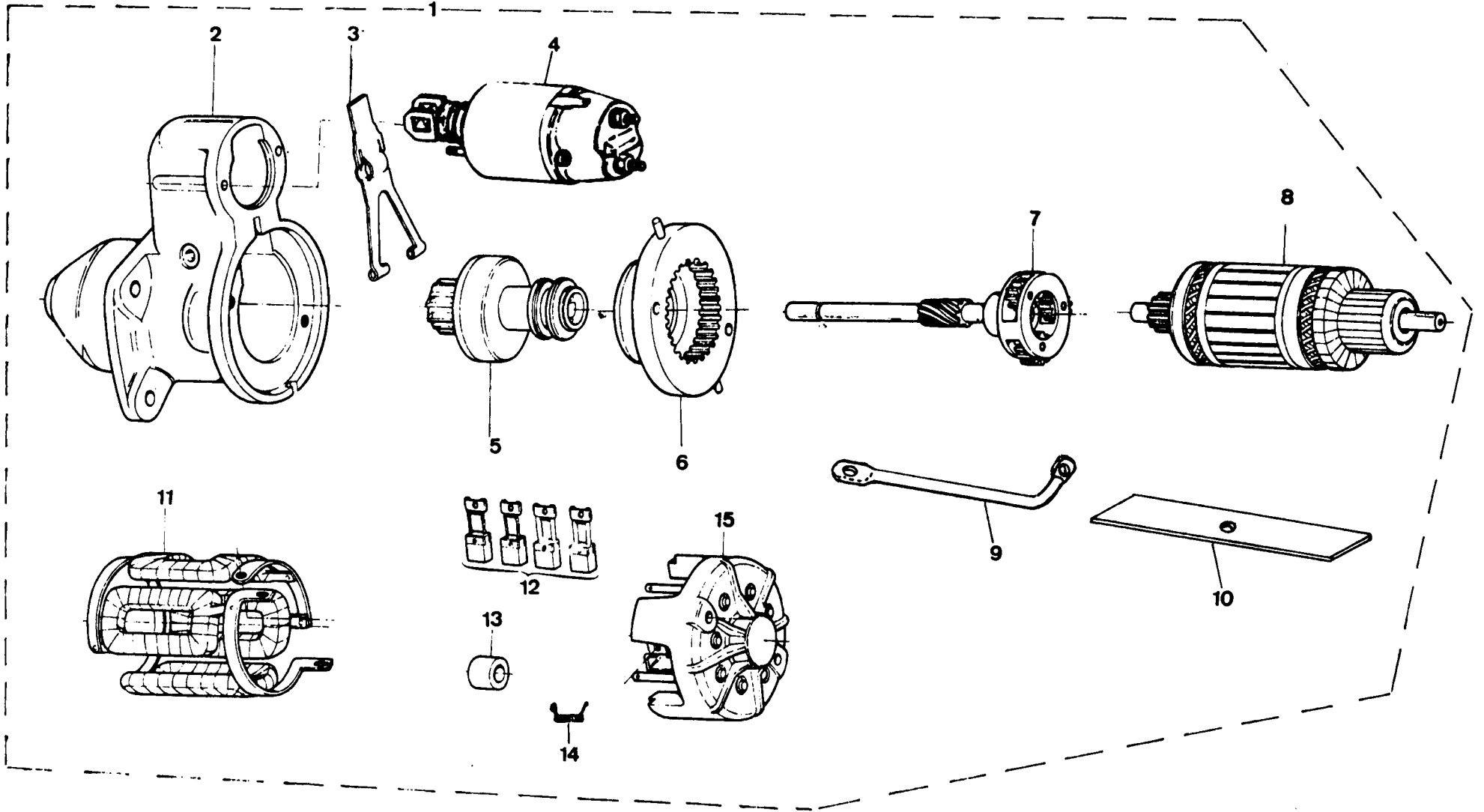


PUBLICACION N 883013  
 EDICION N 1

GRUPO=05 SISTEMA ELECTRICO  
 GROUPE=05 ELECTRICAL SYSTEM  
 GROUPE=05 SYSTEME ELECTRIQU

SUBGRUPO=MOTOR ARR FEMSA 4C G  
 SUBGROUP=STARTER M FEMSA 4C P  
 SUBGROUPE=DEMARREUR FEMSA 4C E

N.FIG	N.PIEZA	CAN	DENOMINACION	DESCRIPTION	DENOMINATION	C H A S I S
PLATE	PARTNUMBER	QTY				
N.FIG	N.PIECE	OUT				
39	192414	1	TUERCA	NUT	ECROU	
41	181172	2	TUERCA	NUT	ECROU	
42	180426	2	ARANDELA	WASHER	RONDELLE	



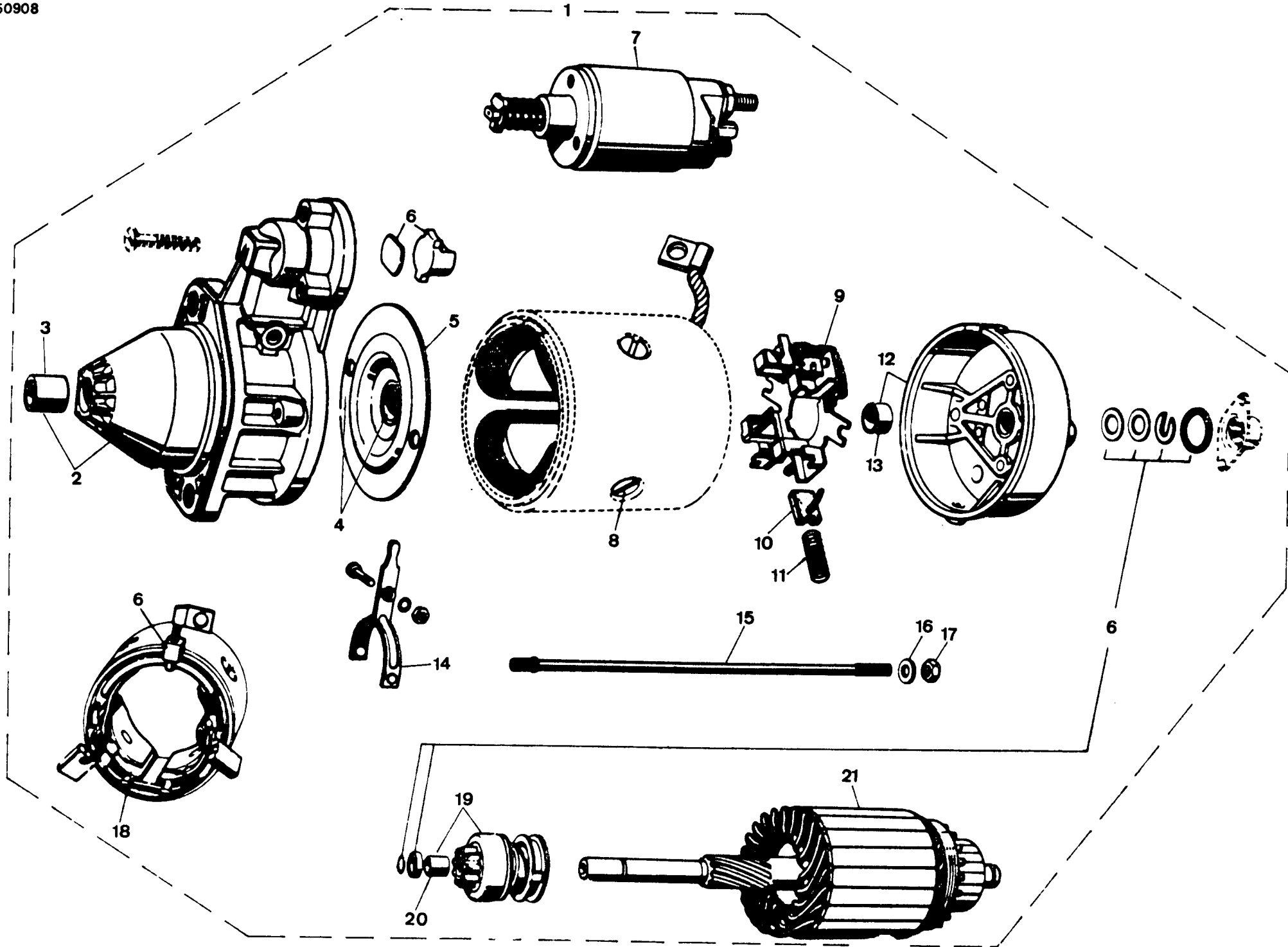


PUBLICACION N 880013  
EDICION N 1

GRUPO=15 SISTEMA ELECTRICO  
GRUPE=15 ELECTRICAL SYSTEM  
GROUPE=15 SYSTEME ELECTRIQU

SUBGRUPO=MOTOR ARR FEMSA 4C D  
SUBGROUP=STARTER M FEMSA 4C D  
SUBGROUPE=DEMARREUR FEMSA 4C D

N.FIG	N.PIEZA	CAN					
PLATE	PARTNUMBER	QTY					
N.FIG	N.PIECE	OUT	DENOMINACION	DESCRIPTION	DENOMINATION	C H A S I S	
1	529971F1	1	MOTOR DE ARRANQUE	STARTER MOTOR	DEMARREUR		
2	193175	1	SOPORTE	MRF12 16 SUPPORT	MRF12 16 SUPPORT	MRF12	16
	193654	1	SOPORTE	MOE12 7 SUPPORT	MOE12 7 SUPPORT	MOE12	7
3	193178	1	HORQUILLA	MRF12 16 FORK	MRF12 16 FOURCHETTE	MRF12	16
	193662	1	HORQUILLA	MOE12 7 FORK	MOE12 7 FOURCHETTE	MOE12	7
4	193154	1	CONTACTOR	MRF12 16 SOLENOID	MRF12 16 SOLENOIDE	MRF12	16
	193660	1	SOLENOID	MOE12 7 SOLENOID	MOE12 7 SOLENOIDE	MOE12	7
5	193176	1	PINON	MRF12 16 DRIVE	MRF12 16 PIGNON	MRF12	16
	193659	1	PINON	MOE12 7 DRIVE	MOE12 7 PIGNON	MOE12	7
6	164814	1	CORONA	MRF12 16 CROWN WHEEL	MRF12 16 COURONNE	MRF12	16
7	164818	1	EJE	MRF12 16 AXE	MRF12 16 APBRE	MRF12	16
8	164817	1	INDUCIDO	MRF12 16 ARMATURE	MRF12 16 INDUIT	MRF12	16
	193657	1	INDUCIDO	MOE12 7 ARMATURE	MOE12 7 INDUIT	MOE12	7
9	193157	1	VARILLA	ROD	TIGE		
10	164822	1	INSULATION	INSULATION	ISOLANT		
11	177815	1	INDUCTOR	MRF12 16 FIELD COIL	MRF12 16 INDUCTEUR	MRF12	16
	193658	1	INDUCTOR	MOE12 7 FIELD COIL	MOE12 7 INDUCTEUR	MOE12	7
12	164814	1	ESCOBILLAS	MRF12 16 BRUSH	MRF12 16 BALAI	MRF12	16
	193656	1	ESCOBILLAS	MOE12 7 BRUSH	MOE12 7 BALAI	MOE12	7
13	164815	1	CASQUILLO	MRF12 16 BUSH	MRF12 16 BAGUE	MRF12	16
	193653	1	CASQUILLO	MOE12 7 BUSH	MOE12 7 BAGUE	MOE12	7
14	164823	1	MUELLE	MRF12 16 SPRING	MRF12 16 RESSORT	MRF12	16
	193661	1	MUELLE	MOE12 7 SPRING	MOE12 7 RESSORT	MOE12	7
15	164816	1	SOPORTE	MRF12 16 SUPPORT	MRF12 16 SUPPORT	MRF12	16
	193652	1	SOPORTE	MOE12 7 SUPPORT	MOE12 7 SUPPORT	MOE12	7

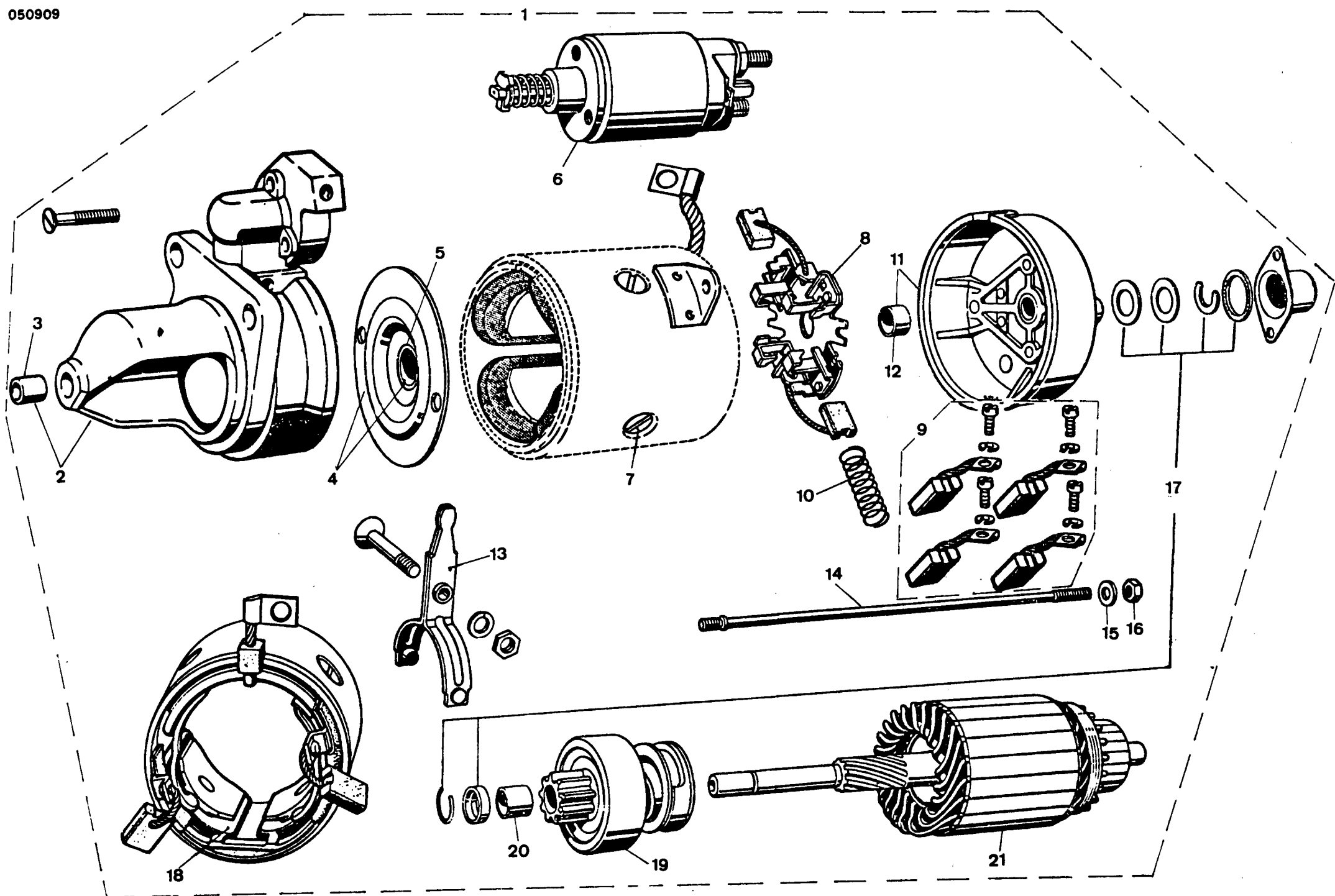


PUBLICACION N 880013  
EDICION N 1

GRUPO=05 SISTEMA ELECTRICO  
GROUP=05 ELECTRICAL SYSTEM  
GROUPE=05 SYSTEME ELECTRIQUE

SUBGRUPO=MOTOR ARR BOSCH 4C D  
SUBGROUP=STARTER M BOSCH 4C D  
SUBGROUPE=DEMARREUR BOSCH 4C D

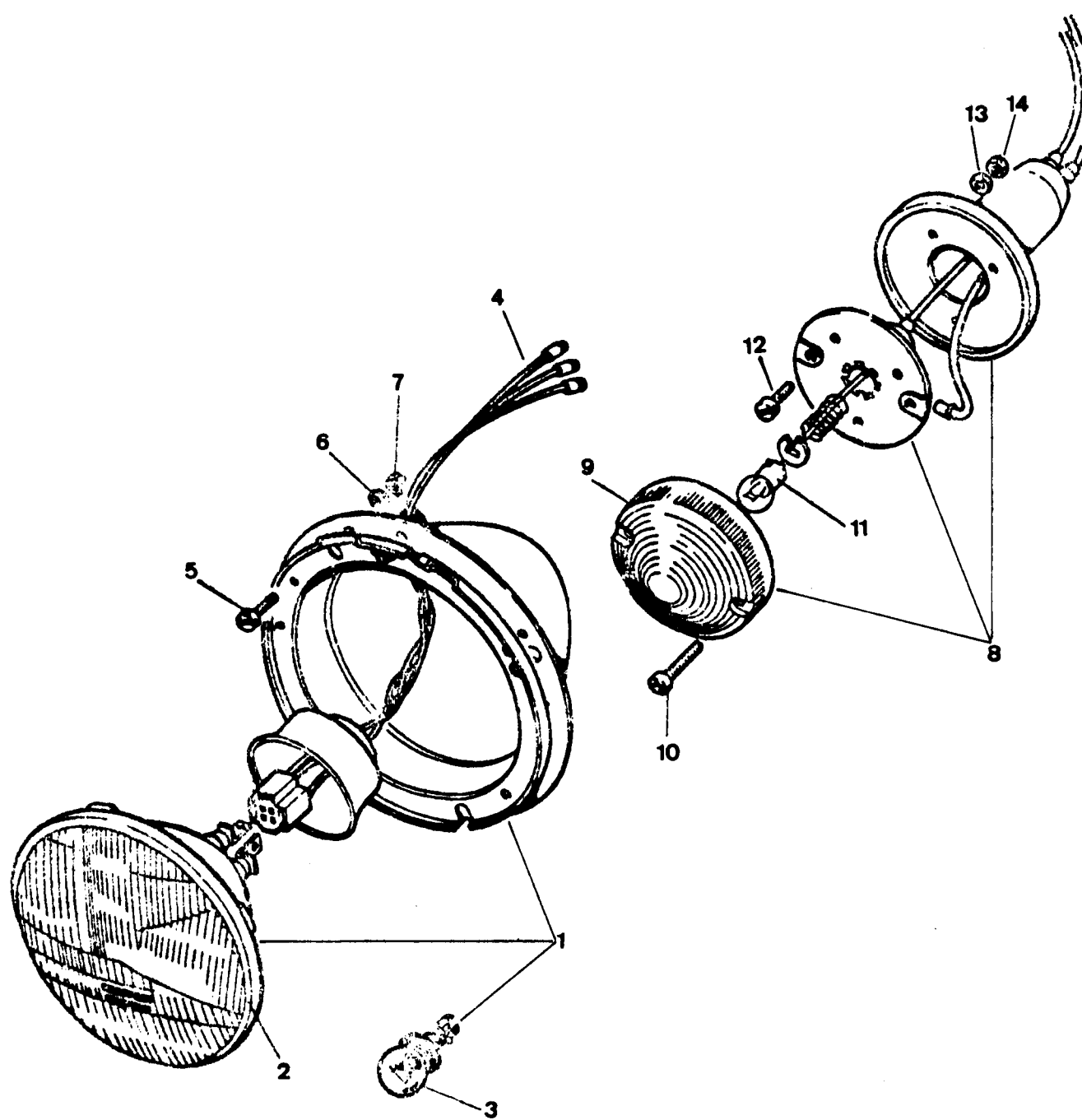
N.FIG	N.PIEZA	CAN	DENOMINACION	DESCRIPTION	DENOMINATION	C H A S I S
PLATE	PARTNUMBER	QTY				
N.FIG	N.PIECE	OUT				
1	529971F1	1	MOTOR ARRANQUE	STARTER MOTOR	DEMARREUR	
2	194473	1	TAPA DELANTERA	FRONT COVER	COUVERCLE AVANT	
3	194474	1	CASQUILLO	BUSH	BAGUE	
4	193252	1	TAPA INTERMEDIA	INTERMEDIAE COVER	COUVERCLE INTERMEDIA	
5	193253	1	TAPA INTERMEDIA	INTERMEDIAE COVER	BAGUE	
6	194487	1	JUEGO DE PIEZAS	PIECES KIT	JEU DE PIECES	
7	193269	1	CONTACTOR	SOLENOID	SOLENOIDE	
8	193242	4	TORNILLO	SCREW	VIS	
9	194479	1	PORTAESCOBILLAS	BRUSH BOX	BOITE DE BALAIS	
10	194478	1	JUEGO DE ESCOBILLAS	BRUSH KIT	JEU DE BALAIS	
11	194476	4	MUELLE	SPRING	RESSORT	
12	194477	1	TAPA TRASERA	REAR COVER	COUVERCLE ARRIERE	
13	194481	1	CASQUILLO	BUSH	BAGUE	
14	193245	1	HORQUILLA	FORK	FOURCHETTE	
15	193249	2	VARILLA	ROD	BAGUETTE	
16	193250	2	ARANDELA	WASHER	RONDELLE	
17	193251	2	TUERCA	NUT	ECROU	
18	194475	1	BOBINA INDUCTORA	DIEL COIL	INDUIT	
19	194471	1	PI/ON	DRIVE	PIGNON	
20	194472	2	CASQUILLO	BUSH	BARGUE	
21	194469	1	INDUCIDO	ARMATURE	INDUIT	



PUBLICACION N 83013  
EDICION N 1GRUPO=05 SISTEMA ELECTRICO  
GROUP=05 ELECTRICAL SYSTEM  
GROUPE=05 SYSTEME ELECTRIQUSUBGRUPO=MOTOR ARRAN BOSCH 6C  
SUBGROUP=STARTER MOT BOSCH 6C  
SUBGROUPE=DEMARREUR BOSCH 6C

N.FIG PLATE N.FIG	N.PIEZA PARTNUMBER N.PIECE	CAN QTY OUT	DENOMINACION	DESCRIPTION	DENOMINATION	C H A S I S
1	118419	1	MOTOR ARRANQUE	STARTER MOTOR	DEMARREUR	
2	194452	1	TAPA DELANTERA	FRONT COVER	COUVERCLE AVANT	
3	193254	1	CASQUILLO	BUSH	BAGUE	
4	194453	1	TAPA INTERMEDIA	INTERMEDIATE COVER	COUVERCLE INTERMEDIA	
5	194454	1	CASQUILLO	BUSH	BAGUE	
6	194451	1	CONTACTOR	SOLENOID	SOLENOIDE	
7	193242	4	TORNILLO	SCREW	VIS	
8	194458	1	PURTAESCOBILLAS	BRUSH BOX	BOITE DE BALAIS	
9	194457	1	JUEGO DE ESCOBILLAS	BRUSH KIT	JEU DE BALAIS	
10	194456	4	MUELLO	SPRING	RESSORT	
11	194477	1	TAPA TRASERA	REAR COVER	COUVERCLE ARRIERE	
12	194451	1	CASQUILLO	BUSH	BAGUE	
13	194457	1	HORQUILLA	FORK	FOURCHETTE	
14	194454	2	VARILLA	ROD	BAGUETTE	
15	193250	2	ARANDELA	WASHER	RONDELLE	
16	193251	2	TUERCA	NUT	ECROU	
17	194459	1	JUEGO DE PIEZAS PIECE KIT	E KIT	JEU DE PIECES	
18	194455	1	BOBINA INDUCTORA	DIEL COIL	INDUIT	
19	194452	1	PIZON	DRIVE	PIGNON	
20	194453	1	CASQUILLO	BUSH	BAGUE	
21	194479	1	INDUCCION	ARMATURE	INDUIT	

050010  
051001  
051000

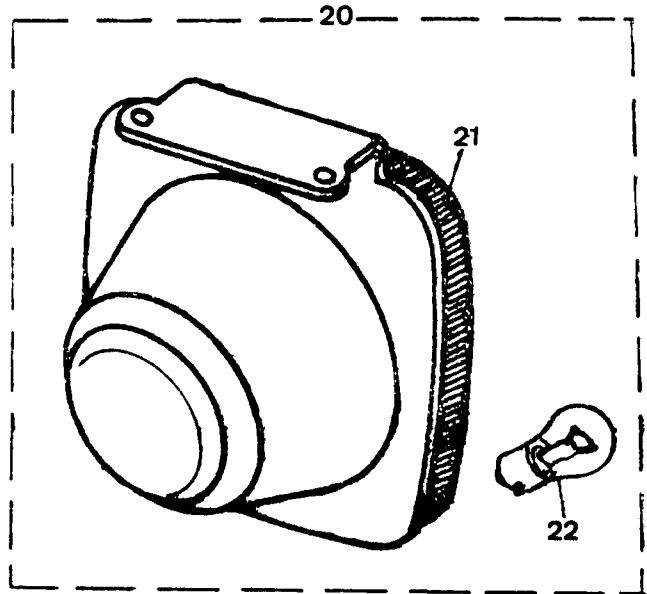
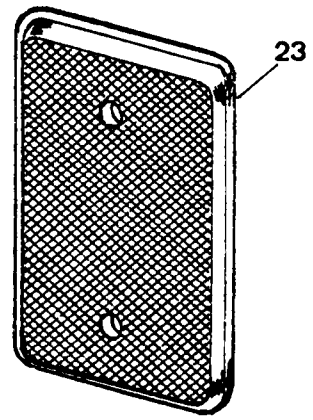
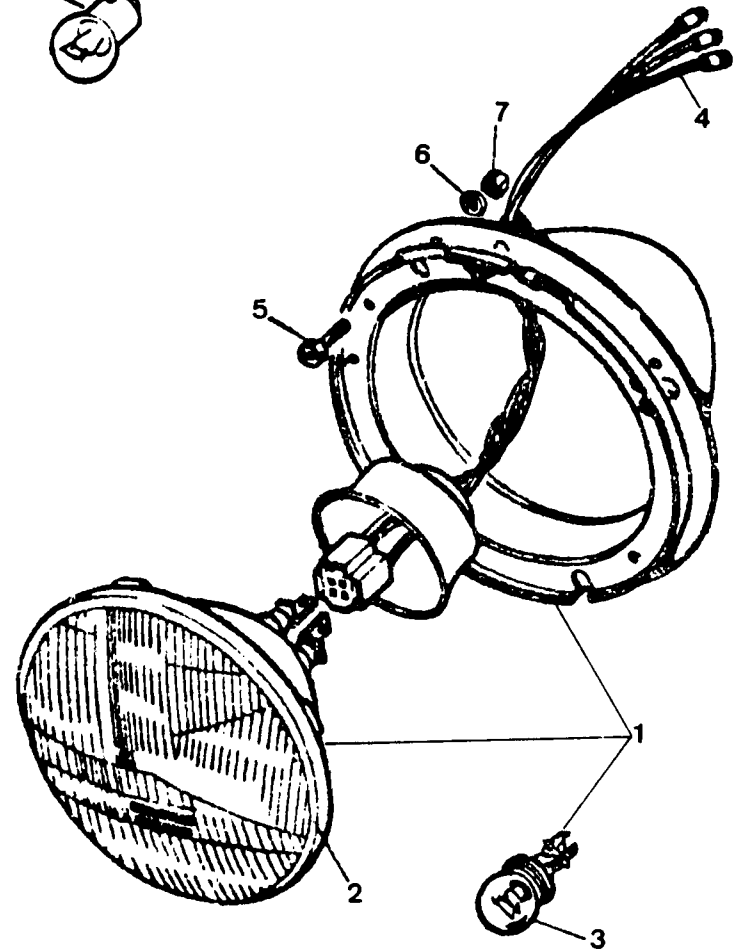
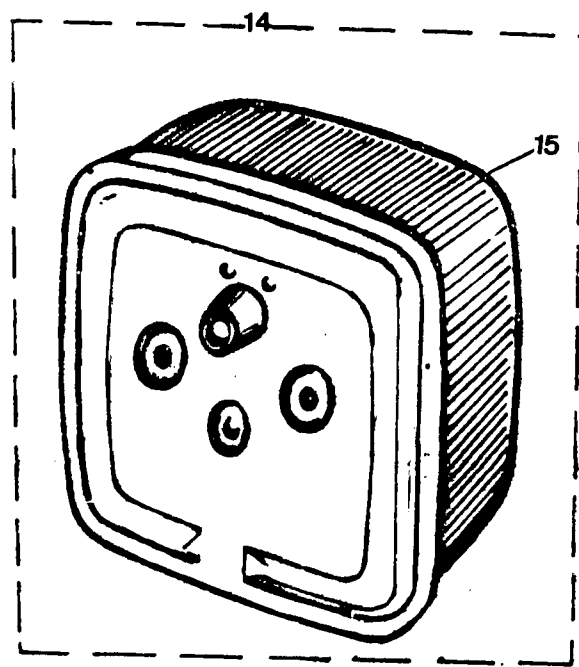
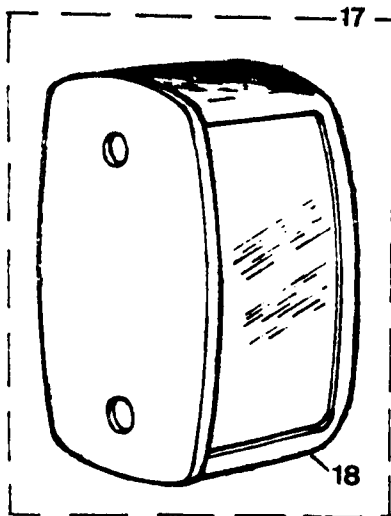
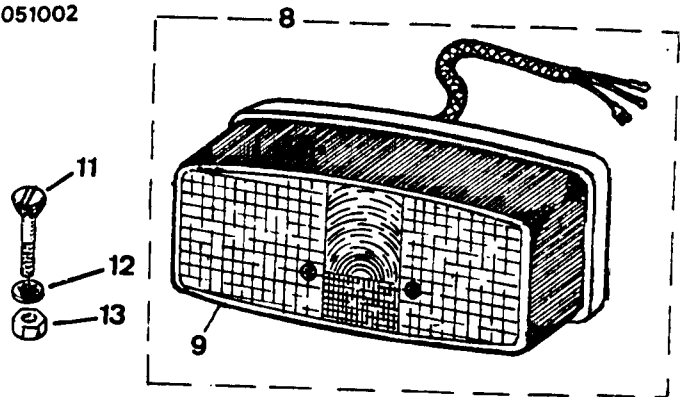


PUBLICACION N 98 JJ13  
EDICION N 1

GRUPO=05 SISTEMA ELECTRICO  
GROUP=05 ELECTRICAL SYSTEM  
GROUPE=05 SYSTEME ELECTRIQU

SUBGRUPO=FAROS Y PILOTOS  
SUBGROUP=HEAD LAMPS  
SUBGROUPE=PHARES ET FEUS

N.FIG	N.PIEZA	CAN	DENOMINACION	DESCRIPTION	DENOMINATION	C H A S I S
PLATE	PARTNUMBER	QTY				
N.FIG	N.PIECE	OUT				
1	17162F	2	CONJ FARO KINBY HALO	HEADLAMP ASSY KINBY	ENS PHARE KINBY HALO	
	17779Z	2	CONJ FARO CIBIE HALO	HEADLAMP ASSY CIBIE	ENS PHARE CIBIE HALO	
	575102E2	2	CONJ FARO	HEADLAMP ASSY	ENS PHARE	
2	169834	2	OPTICA KINBY	LIGHT UNIT KINBY	BLOC OPTIQUE KINBY	
	193213	2	OPTICA CIBIE	LIGHT UNIT CIBIE	BLOC OPTIQUE CIBIE	
	193343	2	OPTICA KINBY HALOGEN	LIGHT UNIT KINBY HAL	BLOC OPTIQUE KINBY H	
	193644	2	OPTICA CIBIE HALOGEN	LIGHT UNIT CIBIE HAL	BLOC OPTIQUE CIBIE H	
3	162867	2	LAMPARA AMARILLA	YELLOW BULB	LAMPE JAUNE	
	193348	2	LAMPARA HALOGENA	HALOGEN BULB	LAMPE HOLOGENE	
	505197E1	2	LAMPARA	BULB	LAMPE	
4	169835	2	CABLE KINBY	LEADS KINBY	CABLE KINBY	
	193212	2	CABLE CIBIE	LEADS CIBIE	CABLE CIBIE	
	193372	2	CABLE	LEADS	CABLE	
5	19173	6	TORNILLO	SCREW	VIS	
6	191731	6	ARANDELA	WASHER	RONDELLE	
7	191732	6	TUERCA	NUT	ECROU	
8	589404F1	2	PILOTO POSICION	SIDE LAMP	FEU STATIONNEMENT	
	589409F1	2	PILOTO INTERMITENTE	FLASHER LAMP	FEU CLIGNOTANT	
9	191599	2	CRISTAL BLANCO	WHITE LENS	VERRE BLANC	
	191600	2	CRISTAL AMBAR	WHITE LENS	VERRE AMBAIR	
10	191597	4	TORNILLO	SCREW	VIS	
11	264590E1	2	LAMPARA POSICION	SIDE BULB	LAMPE STATIONNEMENT	
	264591E1	2	LAMPARA INTERMITENTE	FLASHER BULB	LAMPE CUGNOTANT	
12	77899	12	TORNILLO	SCREW	VIS	
13	3072	12	ARANDELA	WASHER	RONDELLE	
14	4032	12	TUERCA	NUT	ECROU	



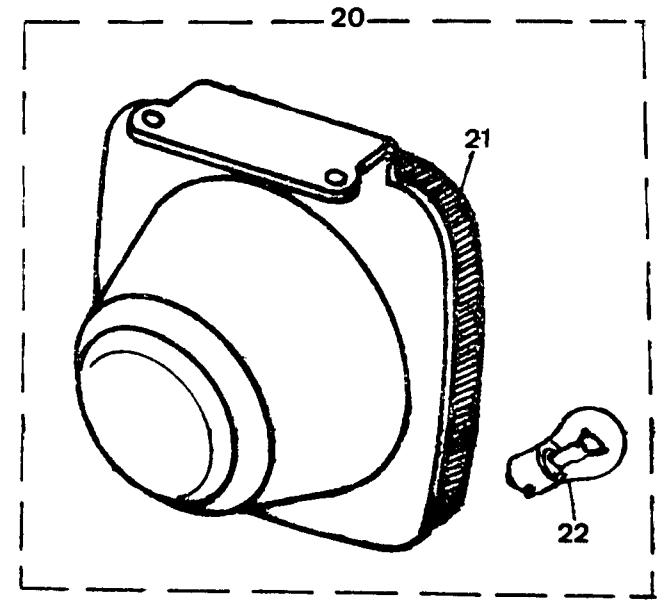
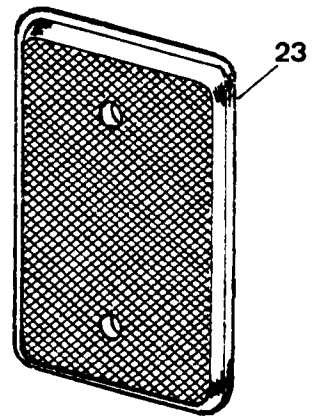
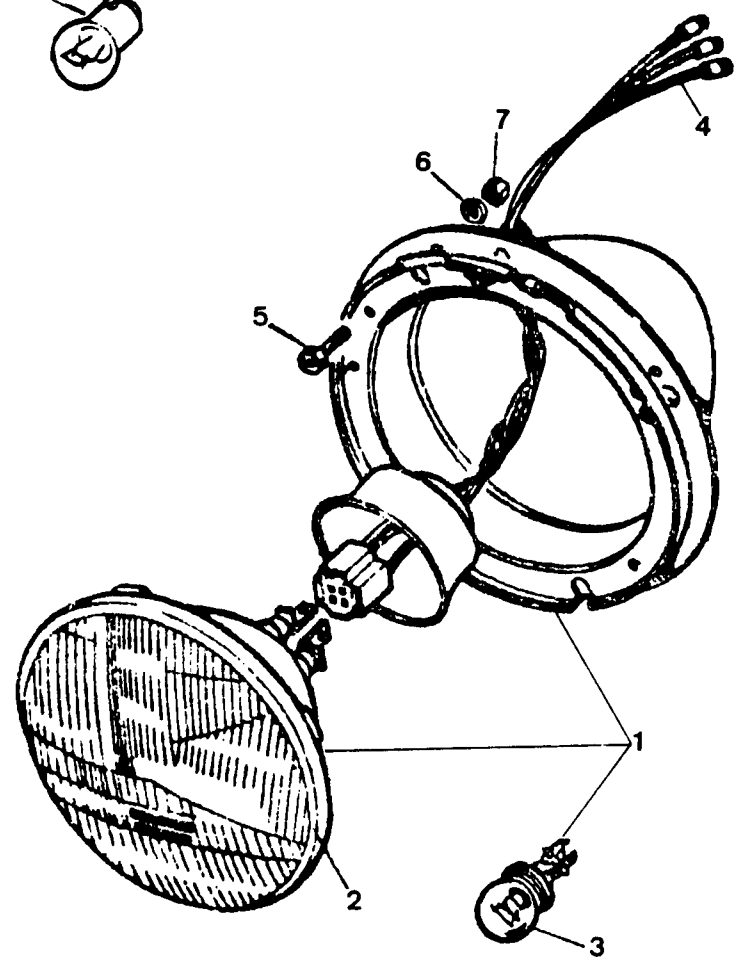
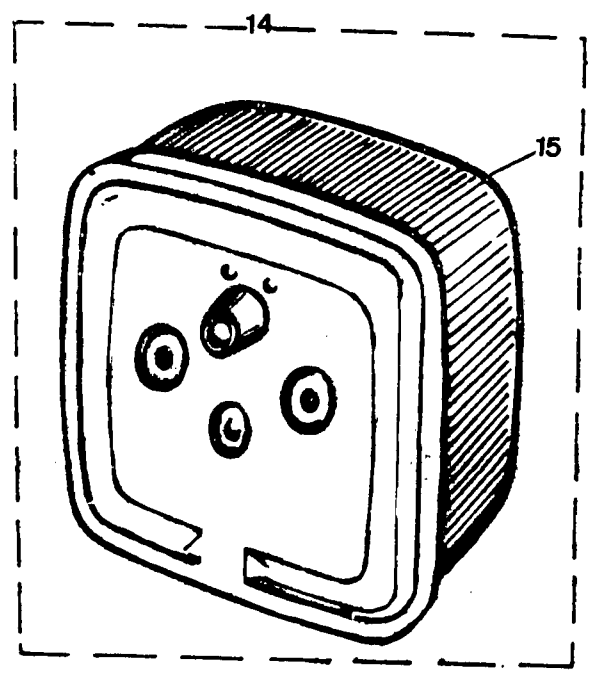
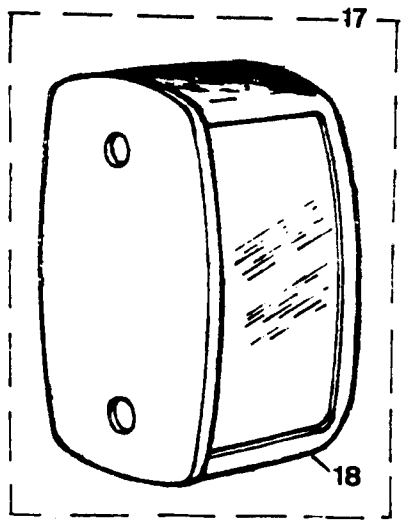
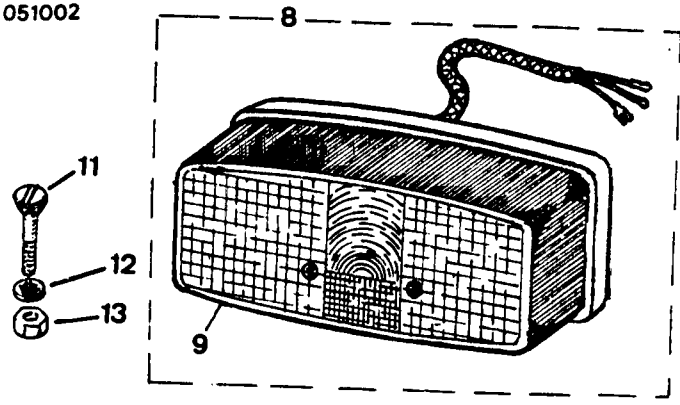


PUBLICACION N 98 J013  
EDICION N 1

GRUPO=05 SISTEMA ELECTRICO  
GROUP=05 ELECTRICAL SYSTEM  
GROUPE=05 SYSTEME ELECTRIQU

SUBGRUPO=FAROS Y PILOTOS  
SUBGROUP=HEAD LAMPS  
SUBGROUPE=PHARES ET FEUS

N.FIG	N.PIEZA	CAN				
PLATE	PARTNUMBER	QTY				
N.FIG	N.PIECE	OUT	DENOMINACION	DESCRIPTION	DENOMINATION	C H A S I S
1	17162F	2	CONJ FARO KINBY HALO	HEADLAMP ASSY KINBY	ENS PHARE KINBY HALO	
	17779Z	2	CONJ FARO CIBIE HALO	HEADLAMP ASSY CIBIE	ENS PHARE CIBIE HALO	
	575102E2	2	CONJ FARO	HEADLAMP ASSY	ENS PHARE	
2	169834	2	OPTICA KINBY	LIGHT UNIT KINBY	BLOC OPTIQUE KINBY	
	193213	2	OPTICA CIBIE	LIGHT UNIT CIBIE	BLOC OPTIQUE CIBIE	
	193343	2	OPTICA KINBY HALOGEN	LIGHT UNIT KINBY HAL	BLOC OPTIQUE KINBY H	
	193644	2	OPTICA CIBIE HALOGEN	LIGHT UNIT CIBIE HAL	BLOC OPTIQUE CIBIE H	
3	162867	2	LAMPARA AMARILLA	YELLOW BULB	LAMPE JAUNE	
	193348	2	LAMPARA HALOGENA	HALOGEN BULB	LAMPE HOLOGENE	
	505197E1	2	LAMPARA	BULB	LAMPE	
4	169835	2	CABLE KINBY	LEADS KINBY	CABLE KINBY	
	193212	2	CABLE CIBIE	LEADS CIBIE	CABLE CIBIE	
	193372	2	CABLE	LEADS	CABLE	
5	19173	6	TORNILLO	SCREW	VIS	
6	191731	6	ARANDELA	WASHER	RONDELLE	
7	191732	6	TUERCA	NUT	ECROU	
8	589404F1	2	PILOTO POSICION	SIDE LAMP	FEU STATIONNEMENT	
	589409F1	2	PILOTO INTERMITENTE	FLASHER LAMP	FEU CLIGNOTANT	
9	191559	2	CRISTAL BLANCO	WHITE LENS	VERRE BLANC	
	191600	2	CRISTAL AMBAR	WHITE LENS	VERRE AMBAIR	
10	191597	4	TORNILLO	SCREW	VIS	
11	264590E1	2	LAMPARA POSICION	SIDE BULB	LAMPE STATIONNEMENT	
	264591E1	2	LAMPARA INTERMITENTE	FLASHER BULB	LAMPE CLIGNOTANT	
12	77899	12	TORNILLO	SCREW	VIS	
13	3072	12	ARANDELA	WASHER	RONDELLE	
14	4032	12	TUERCA	NUT	ECROU	

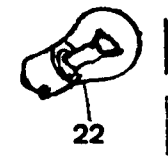
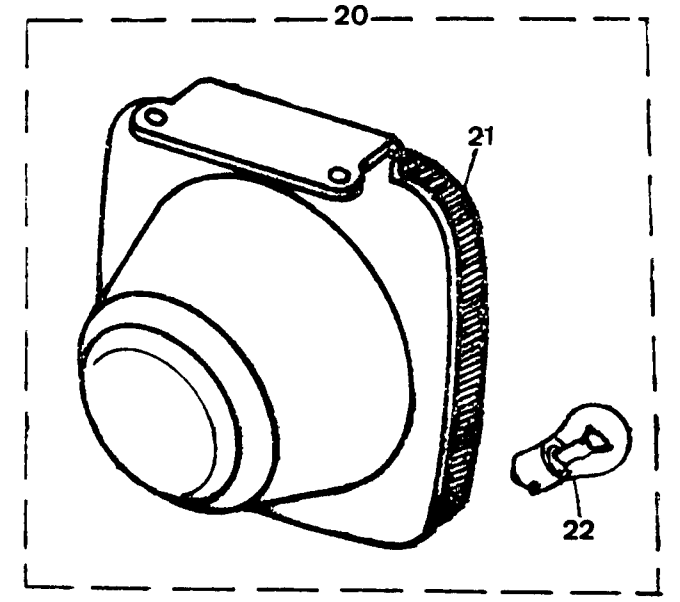
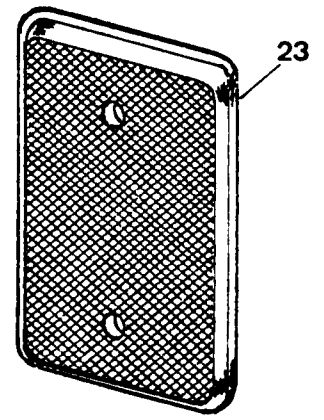
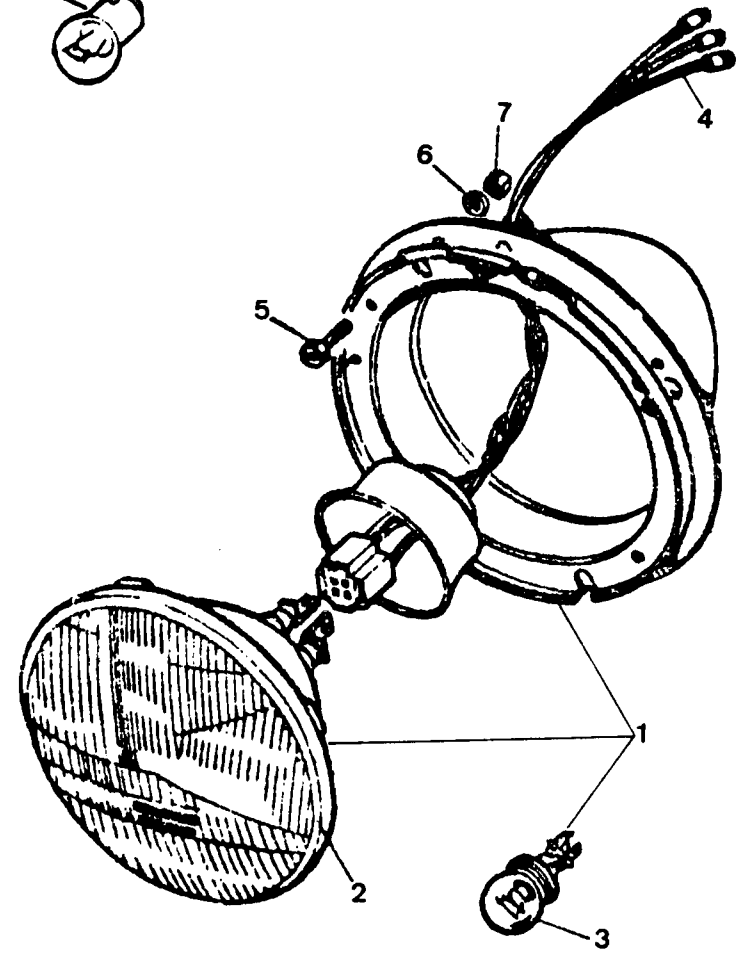
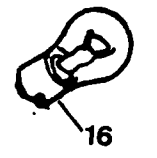
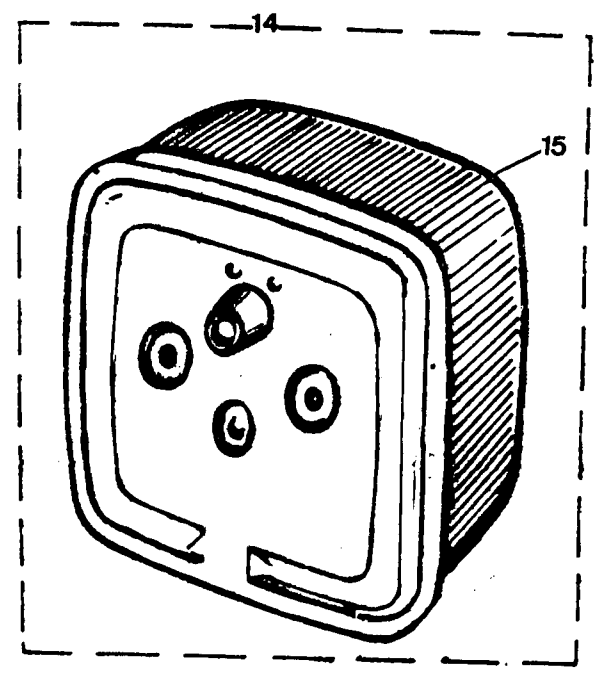
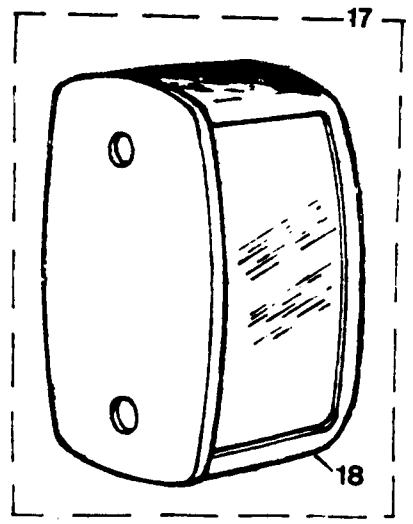
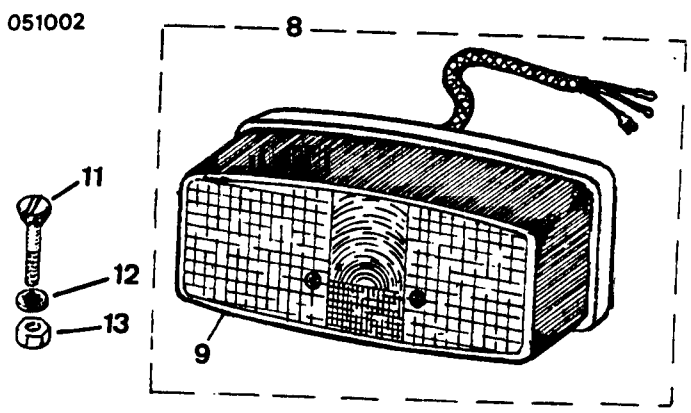


PUBLICACION N 880313  
EDICION N 1

GRUPO=05 SISTEMA ELECTRICO  
GROUP=05 ELECTRICAL SYSTEM  
GROUPE=05 SYSTEME ELECTRIQU

SUBGRUPO=05 FAROS Y PILO SUP CAZ  
SUBGROUP=HEAD LAMPS SUPER CAZ  
SUBGROUPE=05 PHARES ET FE SUP CAZ

N.FIG	N.PIEZA	CAN				
PLATE	PARTNUMBER	QTY				
N.FIG	N.PIECE	OUT	DENOMINACION	DESCRIPTION	DENOMINATION	C H A S I S
1	171628	2	CONJ FARO KINBY HALO	HEADLAMP ASSY KINBY	ENS PHARE KINBY HALO	
	177793	2	CONJ FARO CIBIE HALO	HEADLAMP ASSY CIBIE	ENS PHARE CIBIE HALO	
	575102E2	2	CONJ FARO	HEADLAMP ASSY	ENS PHARE	
2	169804	2	OPTICA KINBY	LIGHT UNIT KINBY	BLOC OPTIQUE KINBY	
	193213	2	OPTICA CIBIE	LIGHT UNIT CIBIE	BLOC OPTIQUE CIBIE	
	193343	2	OPTICA KINBY HALOGEN	LIGHT UNIT KINBY HAL	BLOC OPTIQUE KINBY H	
	193344	2	OPTICA CIBIE HALOGEN	LIGHT UNIT CIBIE HAL	BLOC OPTIQUE CIBIE B	
3	162867	2	LAMPARA AMARILLA	YELLOW BULB	LAMPE JAUNE	
	193348	2	LAMPARA HALOGENA	HALOGEN BULB	LAMPE HALOGENE	
	505107E1	2	LAMPARA	BULB	LAMPE	
4	169805	2	CABLE KINBY	LEADS KINBY	CABLE KINBY	
	193212	2	CABLE CIBIE	LEADS CIBIE	CABLE CIBIE	
	193372	2	CABLE	LEADS	CABLE	
5	191730	6	TORNILLO	SCREW	VIS	
6	191731	6	ARANDELA	WASHER	RONDELLE	
7	191732	6	TUERCA	NUT	ECROU	
8	164526	1	PILOTO POSICION L D	SIDE LAMP R H	FEU STATIONNEMEN CD	
	164527	1	PILOTO POSICION L I	SIDE LAMP L H	FEU STATIONNEMEN CG	
9	193549	1	CRISTAL L D	LENS R H	VERRE C D	
	193550	1	CRISTAL L I	LENS L H	VERRE C G	
10	160844	2	LAMPARA 10 W	BULB 10 W	LAMPE 10 W	
	264591E1	2	LAMPARA 21 W	BULB 21 W	LAMPE 21 W	
11	160289	4	TORNILLO	SCREW	VIS	
12	054959	4	ARANDELA	WASHER	RONDELLE	
13	2247	4	TUERCA	NUT	ECROU	
14	161587	2	PILOTO TRASERO	REAR LAMP	FEU ARRIERE	
15	193148	2	PLASTICO	LENS	VERRE	
16	1021101	2	LAMPARA 5 W	BULB 5 W	LAMPE 5 W	
	264591E1	4	LAMPARA 21	BULB 21 W	LAMPE 21 W	
17	164534	2	PILOTO MATRICULA	REGISTRATION LAMP	FEU PLAQUE POLICE	
18	193701	2	PLASTICO	LENS	VERRE	
19	166844	2	BOMBILLA	BULB	LAMPE	
20	171656	1	PILOTO MARCHA ATRAS	REVERSE LAMP	FEU MARCHÉ ARRIERE	
21	193174	1	PLASTICO	LENS	VERRE	



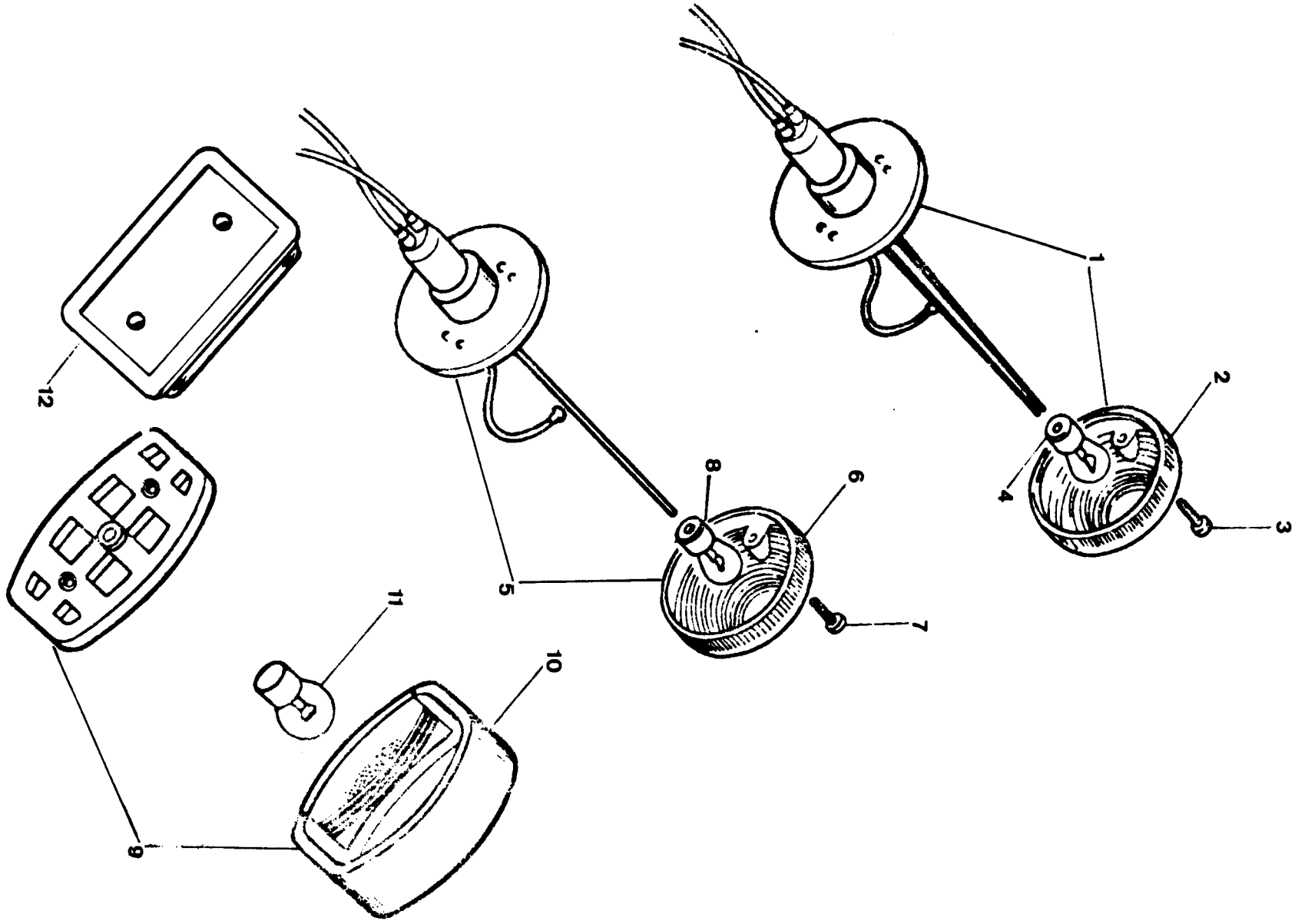
PUBLICACION N 880813  
EDICION N 1

GRUPO=75 SISTEMA ELECTRICO  
GROUP=75 ELECTRICAL SYSTEM  
GROUPE=75 SYSTEME ELECTRIQU

SUBGRUPO=FAROS Y PILO SUP CAZ  
SUBGROUP=HEAD LAMPS SUPER CAZ  
SUBGROUPE=PHARES ET FE SUP CAZ

N.FIG	N.PIEZA	CAN	DENOMINACION	DESCRIPTION	DENOMINACION	C H A S I S
PLATE	PARTNUMBER	QTY				
N.FIG	N.PIECE	OUT				
22	264591E1	1	BOMBILLA	BULB	LAMPE	
23	712073	2	CAPTAFAROS ROJO	RED REFLECTOR	CATADIOPTTRE ROUGE	

050008  
051003

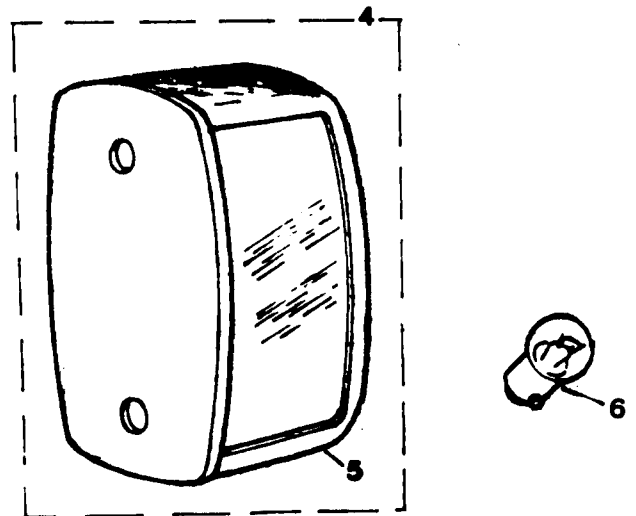
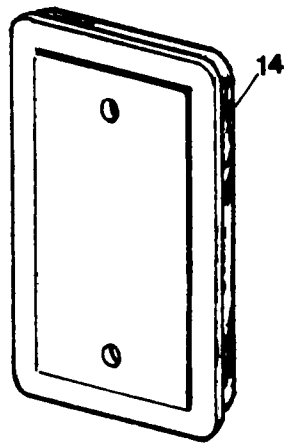
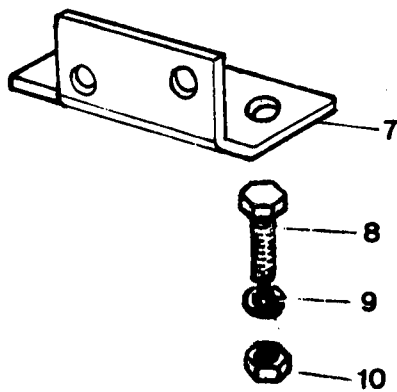
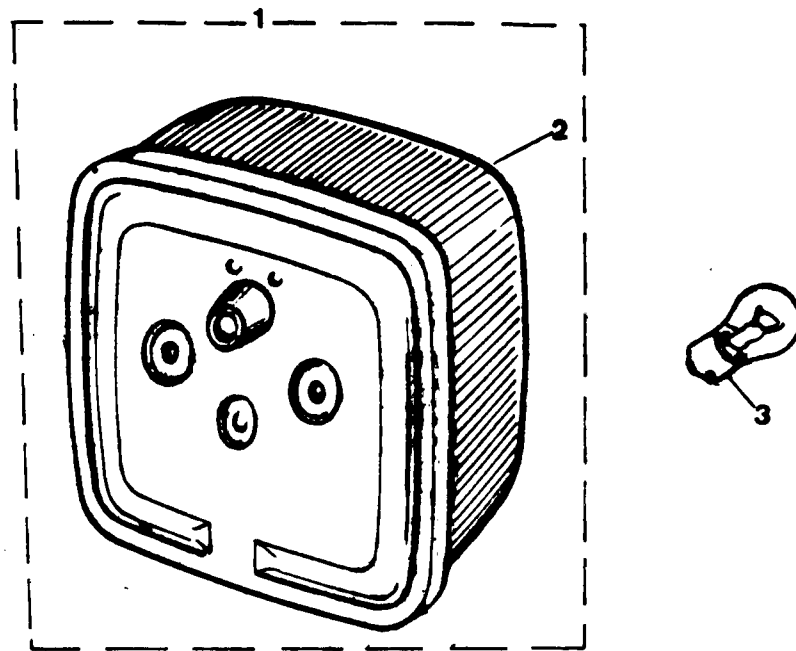
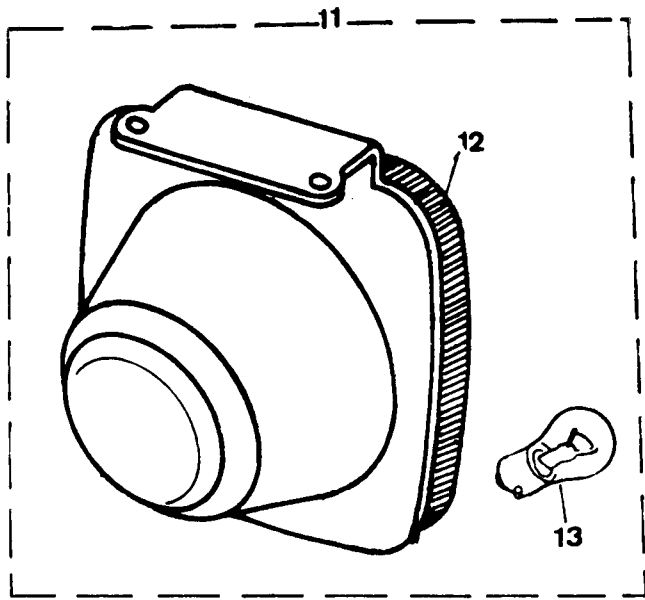


PUBLICACION N 980013  
EDICION N 1

GRUPO=15 SISTEMA ELECTRICO  
GROUP=15 ELECTRICAL SYSTEM  
GROUPE=15 SYSTEME ELECTRIQU

SUBGRUPO=FAROS Y PILOTOS TRAS  
SUBGROUP=REAR HEAD LAMPS  
SUBGROUPE=PHARES ET FEUS ARRIE

N.FIG	N.PIEZA	CAN				
PLATE	PARTNUMBER	QTY				
N.FIG	N.PIECE	OUT	DENOMINACION	DESCRIPTION	DENOMINATION	C H A S I S
1	58944EK2	2	PILOTO POSICION Y PA	STOP TAIL LAMP	FEU POSITION ET STOP	
2	191595	2	PLASTICO ROJO	LENS RED	VERRE ROUGE	
3	77724	6	TORNILLO	BOLT	BOULON	
4	264591E1	2	LAMPARA	BULB	LAMPE	
5	589414H1	2	PILOTO INTERMITENTE	FLASHER LAMP	FEU CLIGNOTANT	
6	191607	2	PLASTICO AMBAR	ORANGE LENS	VERRE AMBRE	
7	77724	6	TORNILLO	BOLT	BOULON	
8	264591E1	2	LAMPARA	BULB	LAMPE	
9	164534	1	PILOTO MATRICULA	REGISTRATION PLAT	FFU PLAQUE POLICE	
10	193781	1	PLASTICOS	LENS	VERRE	
11	166244	1	LAMPARA	BULB	LAMPE	
12	712073	1	CATADIOPTRICO	REFLECTOR	CATADIOPTRE	



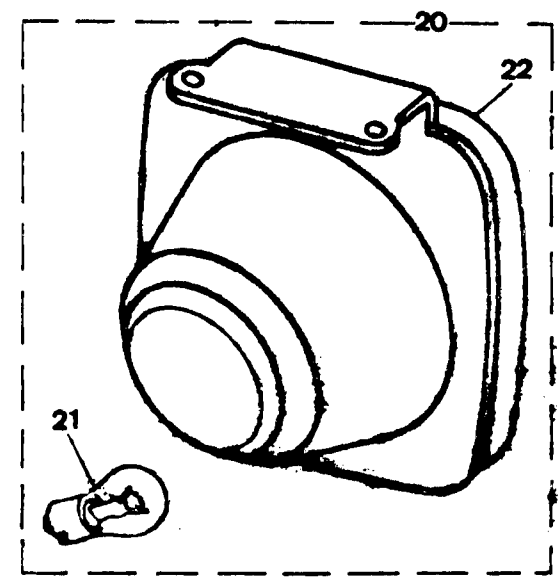
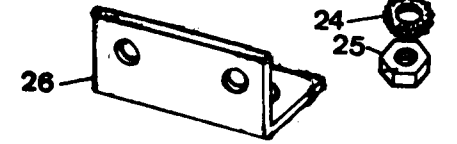
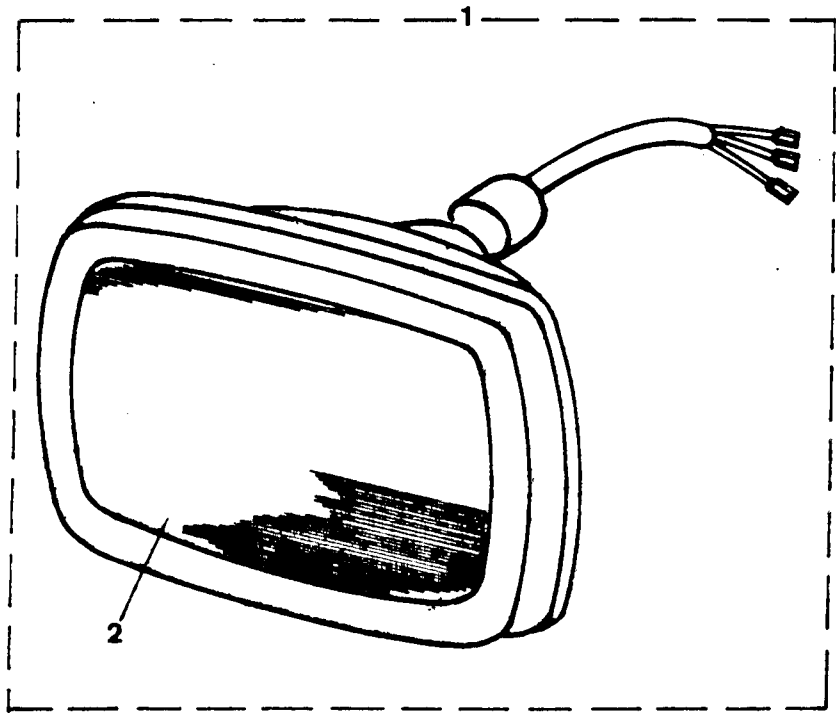
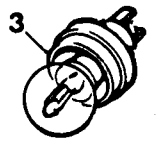
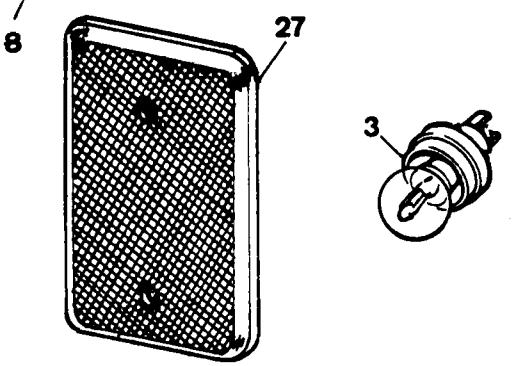
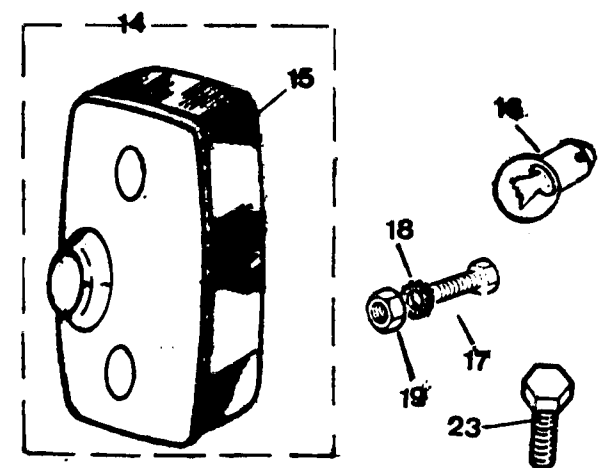
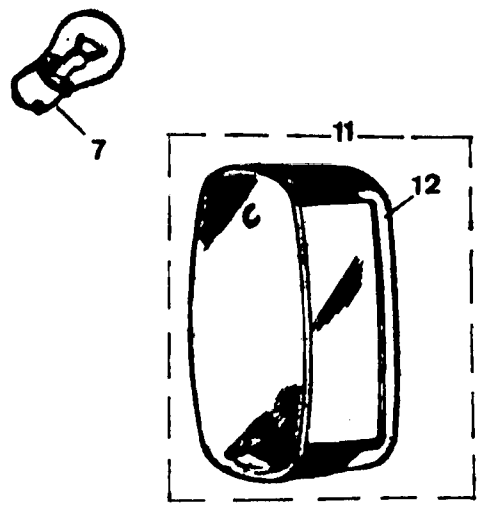
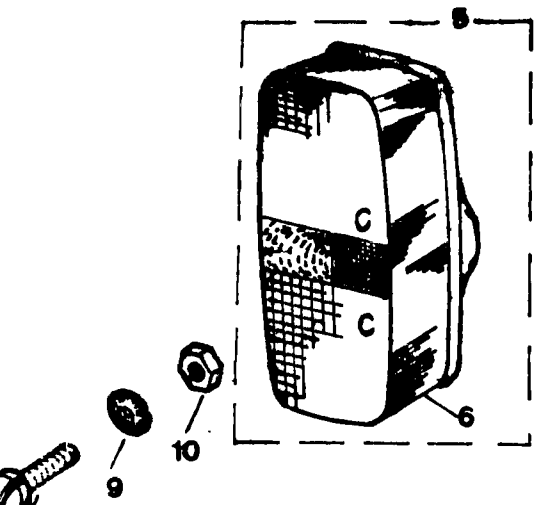


PUBLICACION N 880013  
EDICION N 1

GRUPO=05 SISTEMA ELECTRICO  
GROUP=05 ELECTRICAL SYSTEM  
GROUPE=05 SYSTEME ELECTRIQU

SUBGRUPO=FAROS Y PILOTOS ESPE  
SUBGROUP=HEAD LAMPS SPECIALS  
SUBGROUPE=PHARES ET FEUS SPECI

N.FIG	N.PIEZA	CAN	DENOMINACION	DESCRIPTION	DENOMINATION	C H A S I S
PLATE	PARTNUMBER	QTY				
N.FIG	N.PIECE	OUT				
1	161587	2	PILOTO TRASERO	REAR LAMP	FEU ERRIERE	
2	193148	2	PLASTICO	LENS	VERRE	
3	10211E1	2	BOMBILLA SITUACION	SIDE BULB	LAMPE STATIONNEMENT	
	264591E1	4	BOMBILLA	BULB	LAMPE	
4	164534	2	PILOTO MATRICULA	REGISTRATION LAMP	FEU PLAQUE POLICE	
5	1937P1	2	PLASTICO	LENS	VERRE	
6	166844	2	BOMBILLA	BULB	LAMPE	
7	15698E	1	SOPORTE	SUPPORT	SUPPORT	
8	182111	2	TORNILLO	SCREW	VIS	
9	3074	2	ARANDELA	WASHE	RONDELLE	
10	181184	2	TUERCA	NUT	ECROU	
11	71171E	1	PILOTO MARCHA ATRAS	REVERSE LAMP	FEU MARCHÉ ARRIERE	
12	193164	1	PLASTICO	LENS	VERRE	
13	264591E1	1	BOMBILLA	BULB	LAMPE	
14	712073	2	CAPTAFAROS ROJO	RED REFLECTOR	CATADIOPTRE ROUGE	

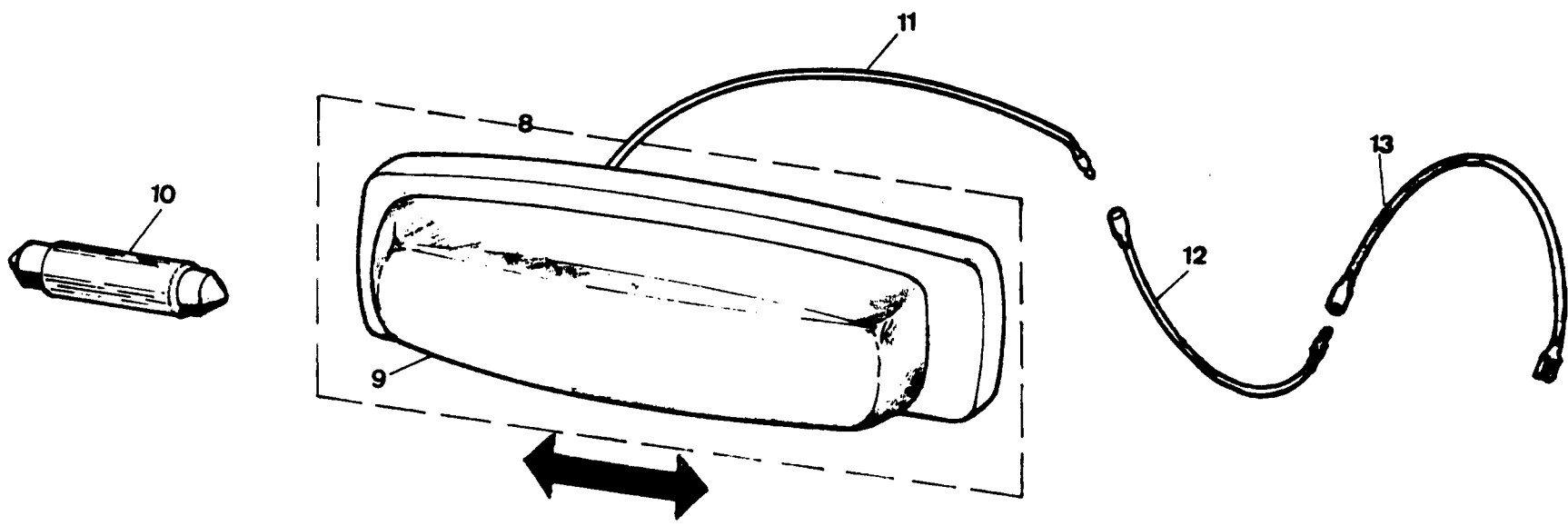
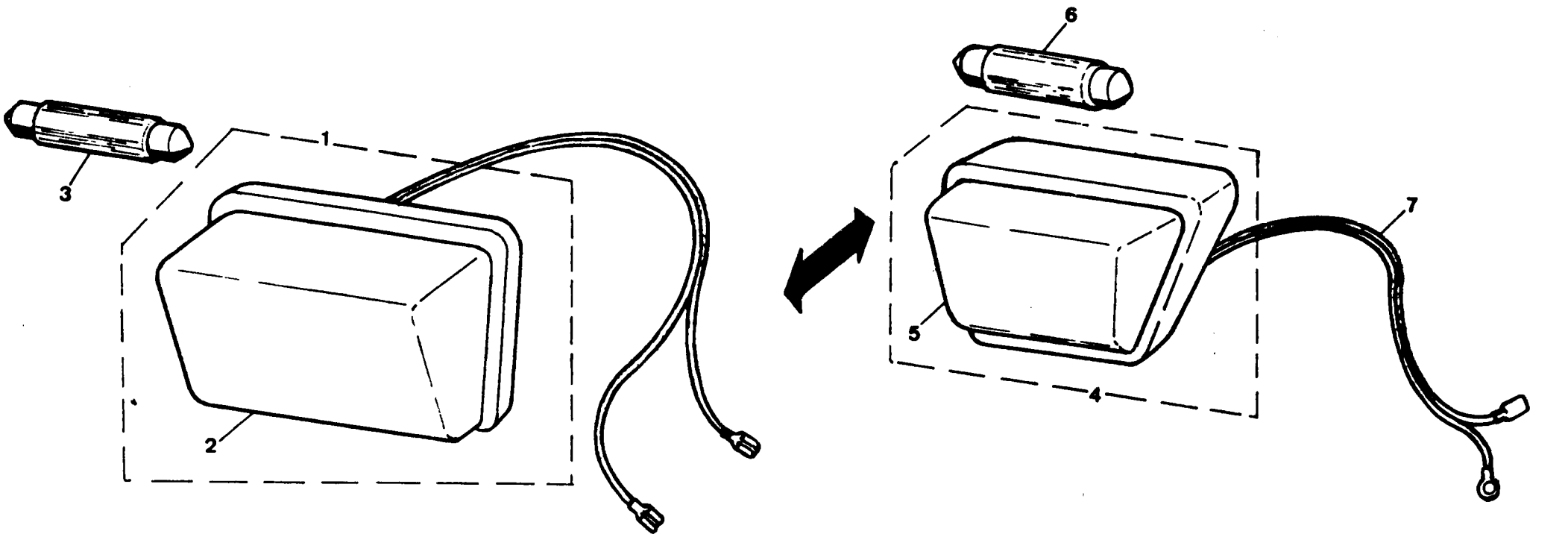


PUBLICACION N 883013  
EDICIÓN N 1

GRUPO=05 SISTEMA ELECTRICO  
GROUP=05 ELECTRICAL SYSTEM  
GROUPE=05 SYSTEME ELECTRIQU

SUBGRUPO=FAROS Y PILOTO 88LI6  
SUBGROUP=HEAD LAMPS 88 LIG  
SUBGROUPE=PHARES ET FEUS 88 LI

N.FIG PLATE N.FIG	N.PIEZA PARTNUMBER N.PIECE	CAN QTY OUT	DENOMINACION	DESCRIPTION	DENOMINATION	C H A S I S
1	178726	2	CONJ FARO CIBIE	HEADLAMP ASSY CIBIE	ENS PHARE CIBIE	
2	193815	2	OPTICA CIBIE	LIGHT UNIT CIBIE	BOC OPTIQUE CIBIE	
3	505197E1	2	LAMPARA	BULB	LAMPE	
4	164536	2	PILOTO INTERMITENCIA	FLASHER LAMP	FEU GLIGNANT	
5	164526	1	PILOTO POSIC E IN	FLASHER AND SIDE RH	FEY CLIGONT EST ST C	
	164527	1	PILOTO POSIC E IN LI	FLASHER AND SIDE L H	FEY CLIGNONT ET STCG	
6	193549	1	CRISTAL L D	LENS R H	VERRE C D	
	193553	1	CRISTAL L I	LENS L H	VERRE C G	
7	166844	2	LAMPARA POSICION	SIDE BULB	LAMPE STIONNEMENT	
	264591E1	2	LAMPARA INTERMITENCI	FLASHER BULB	LAMPE CLIGNOTANT	
8	180219	4	TORNILLO	SCREW	VIS	
9	054959	4	ARANDELA	WASHER	RONDELLE	
10	2247	4	TUERCA	NUT	ECROU	
11	164533	2	PILOTO MATRICULA	REGISTRATION LAMP	FEU PLAQUE POLICE	
12	193701	2	PLASTICO	LENS	VERRE	
13	166844	2	AMPARA 10 W	BULB 10 W	LAMPE 10 W	
14	164528	1	PILOTO POSI PARE	FLASHER STOP SIDE PH	FEY GLIGNOY STATI	
	164529	1	PILOTO POSI PARE	FASHER STOP SIDE L H	FEU CLIGNOT STATI C	
15	193551	1	PLASTICO L D	LENS R H	VERRE C D	
	193552	1	PLASTICO L I	LENS L H	VERRE C G	
16	166844	2	LAMPARA SITUACION	SIDE BULB	LAMPE STATIONNEMENT	
	264591E1	4	LAMPARA	BULB	LAMPE	
17	180219	4	TORNILLO	SCREW	VIS	
18	054959	4	ARANDELA	WASHER	RONDELLE	
19	2247	4	TUERCA	NUT	ECROU	
20	711715	1	PILOTO MARCHA ATR	REVERSE LAMP	FEU MARCHE ARIERE	
21	264591E1	1	LAMPARA	BULB	LAMPE	
22	193164	1	PLASTICO	LENS	VERRE	
23	142111	2	TORNILLO	SCREW	VIS	
24	3074	2	ARANDELA	WASHER	RONDELLE	
25	131184	2	TUERCA	NUT	ECROU	
26	202151	1	SOPORTE	SUPPORT	SUPPORT	
27	712173	2	CAPTAFAROS ROJO	RED REFLECTOR	CATADIOPTRE ROUGE	



PUBLICACION N 380013  
EDICION N 1

GRUPO=15 SISTEMA ELECTRICO  
GROUP=15 ELECTRICAL SYSTEM  
GROUPE=15 SYSTEME ELECTRIQU

SUBGRUPO=PLAFONES  
SUBGROUP=INTO LAMP  
SUBGROUPE=FEU INTERIEUR

N.FIG	N.PIEZA	CAN				
PLATE	PARTNUMBER	QTY				
N.FIG	N.PIECE	OUT	DENOMINACION	DESCRIPTION	DENOMINATION	C H A S I S
1	165535	3	PLAFON	INT LAMP	FEU INTERIEUR	
2	194319	3	PLASTICO	LENS	VERRE	
3	166579	3	BOMBILLA 12V 5W	BULB 12V 5W	LAMPE 12V 5W	
4	712563	1	PLAFON	INTO LAMP	FEU INTERIEUR	
6	166579	1	BOMBILLA 12V 5W	BULB 12V 5W	LAMPE 12V 5W	
7	163527	1	CABLE	CABLE	CABLE	
8	163541	1	PLAFON	INTO LAMP	FEU INTERIEUR	
9	194298	1	PLASTICO	LENS	VERRE	
10	166579	2	BOMBILLA 12V 5W	BULB 12V 5W	LAMPE 12V 5W	
11	178636	1	CABLE	CABLE	CABLE	
12	163557	1	CABLE	CABLE	CABLE	
13	161576	1	CABLE	CABLE	CABLE	